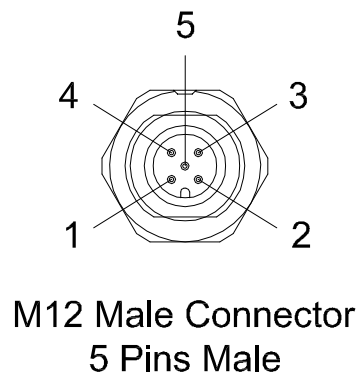
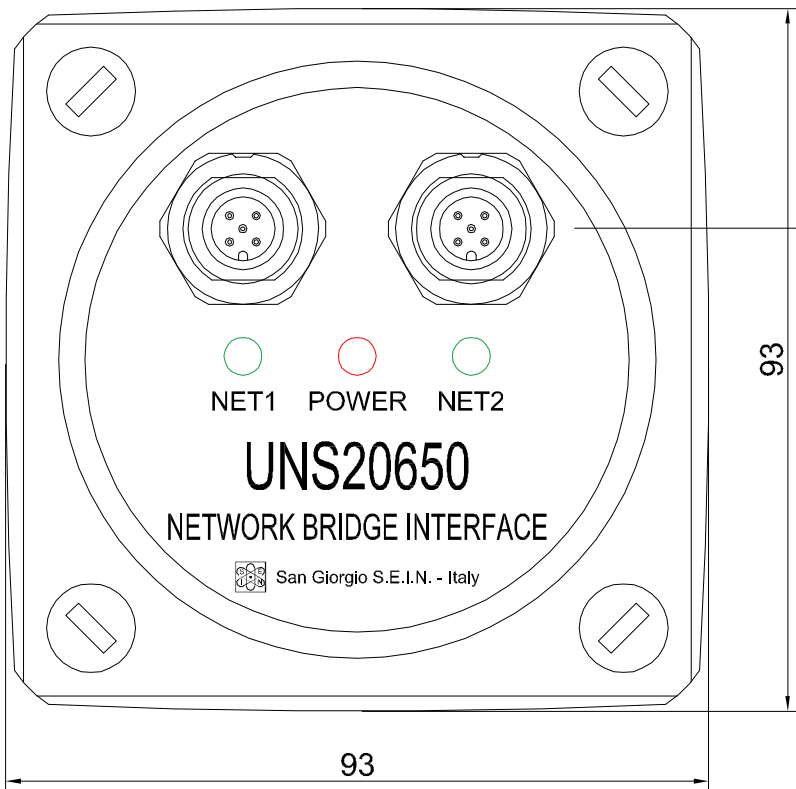


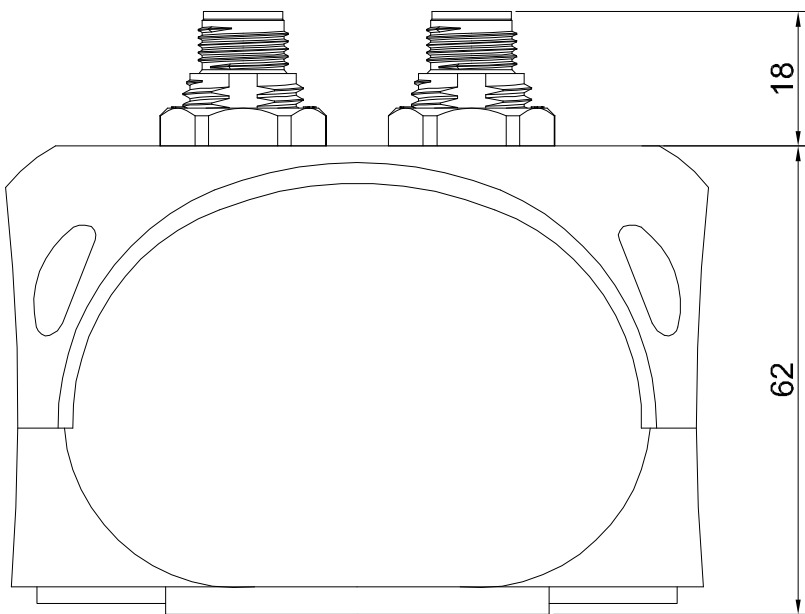
UNS20650 - NETWORK BRIDGE INTERFACE



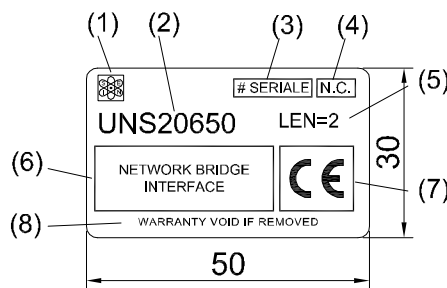
Pin	Function NETWORK
1	Shield
2	NET-S (+V Supply)
3	NET-C (-V Supply)
4	NET-H (CAN-H)
5	NET-L (CAN-L)

Status LED

Green	NMEA2000	STATUS: ON = MESSAGE RX Slow blink [T_On=T_Off=1s] = Ok. Fast blink [T_On=T_Off=200ms] = Fault.
Red	POWER	
Green	CANBUS	STATUS: ON = MESSAGE RX



Identification Label

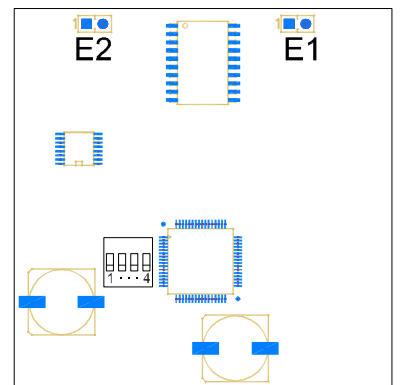


Identification Label Definition:

- (1) Supplier Logo
- (2) Supplier Part Number
- (3) Supplier Serial Number
- (4) Quality Control (initial name operator)
- (5) Load Equivalent Number
- (6) Device Description
- (7) Homologation (CE)
- (8) Warrantee disclaimer

Circuit

E1/E2 - Always open.
CANbus 120Ω line terminator
Jumper E1 for NET1
Jumper E2 for NET2
Close jumper to add internal 120Ω



Technical features

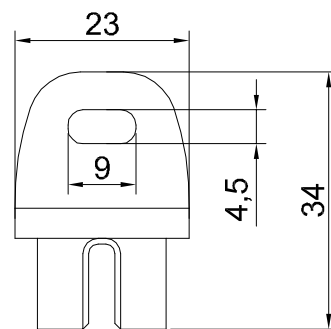
Case material	PC-GFS (polycarbonate)
Dimensions	93 x 93 x 62 mm
Bolt circle	108 mm
Weight	< 0.5 Kg
Power supply	12-24 Vdc - <500mA
Network ports	2 x CAN BUS NMEA2000
Operating temperature	0..+55 °C
Protection grade	IP67
RoHS Compliant	

Technical reference standard: IEC60945

The UNS20650 can be powered via NET2 pin 2-3

The unit is equipped with 1 x dip switch for available settings and 4 x leds for diagnosis

Mounting brackets



The package includes two mounting brackets

Fixing holes distance = 108mm

Rev:	Date:	Descrizione modifiche - Description of changes:	SAN GIORGIO S.E.I.N. GENOVA - ITALY			
0	04/05/18	First issue	Tel. 010-8301222 - www.sangiorgiosein.com			
1	10/02/20	Change UNS20650 case and drawing layout	NETWORK BRIDGE INTERFACE - UNS20650			
2	14/05/20	Modify layout	Number:	Product code:	Sheet:	Size:
3	27/10/20	Modified pin-out numbers of M12 connector	D180428	UNS20650	1/1	A3
			Compiled:	Checked:	Approved:	
			Silvestri M.	Manuelli M.	Manuelli M.	

Se non diversamente specificato, tutte le dimensioni sono da intendersi in mm e le tolleranze delle quote ±0.1mm