

KVH Industries, Inc.

TracVision® TV6



Installation Guide

TracVision TV6 Installation Guide

This guide explains how to install the TracVision TV6 satellite TV antenna system on a vessel. Operation instructions are provided in the Quick Start Guide.

Installation Steps

1. Inspect Parts and Get Tools	3	11. Wire the Receivers.....	13
2. Plan the Antenna Installation.....	4	12. Connect a NMEA Device	22
3. Plan the TV-Hub Installation.....	5	13. Connect Power.....	23
4. Prepare the Antenna Site.....	6	14. Turn On the System	25
5. Prepare the RF Cables.....	7	15. Access the Web Interface.....	26
6. Wire the Antenna	8	16. Connect to an Onboard Network.....	27
7. Remove the Shipping Restraint.....	9	17. Secure the Wi-Fi Connection	28
8. Mount the Antenna.....	10	18. Set Up the System.....	29
9. Mount the TV-Hub.....	11	19. Educate the Customer.....	32
10. Wire the Antenna to the TV-Hub.....	12		

Appendices

A. Installing an IP AutoSwitch.....	33	B. Using a DIRECTV Coax Network.....	37
-------------------------------------	----	--------------------------------------	----

Who Should Install the System?

To ensure a safe and effective installation, KVH recommends that a KVH-authorized marine technician install the TracVision antenna. KVH-authorized technicians have the tools and electronics expertise necessary to install the system. To find a technician near you, visit www.kvh.com/wheretogetservice.

Technical Support

If you need technical assistance, please contact KVH Technical Support:

Europe, Middle East, Africa, Asia-Pacific

Phone: +45 45 160 180

Email: support@emea.kvh.com

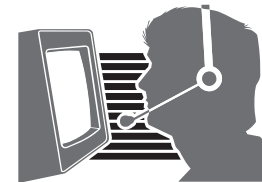
(Mon.-Thu., 8 am-4:30 pm; Fri., 8 am-2 pm, +1 GMT)

North/South America, Australasia

Phone: +1 401 847-3327

Email: support@kvh.com

(Mon.-Fri., 9 am-6 pm; Sat., 9 am-2 pm ET, -5 GMT)



Important Safety Information



This icon indicates a danger, warning, or caution notice. Be sure to read these carefully to avoid injury.



WARNING

Risk of Electric Shock

To avoid electric shock, do not open the TV-Hub chassis enclosure. There are no user-serviceable parts inside.



WARNING

Risk of Electric Shock

If any component of the TracVision system becomes damaged and/or no longer functions normally, disconnect it from vessel power, secure it from unintended operation, and contact KVH Technical Support (see [“Technical Support” on page 1](#)). All repairs or modifications must be performed by a trained, KVH-certified technician. If you are a KVH-certified technician, you still must contact KVH Technical Support prior to conducting any repairs or modifications to the equipment.



WARNING

Risk of Explosion

Do not operate the TV-Hub (or any other electrical device) in an environment where flammable gases, vapors, or dusts are present. In addition, do not operate the TV-Hub in an environment with a temperature outside its 5° F to 131° F (-15° C to 55° C) temperature range.



WARNING

Risk of Electric Shock

Failure to ground the TracVision system properly to ship's ground will cause an unsafe floating ground condition, risking potentially lethal electric shock. See [“Connect Power” on page 23](#) for details on the proper grounding of the equipment.

1 Inspect Parts and Get Tools

Before you begin, follow these steps to ensure you have everything needed to complete the installation.

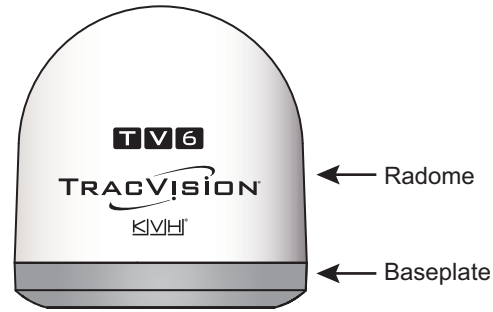
IMPORTANT!

Always lift the antenna by the baseplate and never by the radome or any portion of the internal antenna assembly (see Figure 1).

- a. Unpack the box and ensure it contains everything shown on the Kitpack Contents List. Save the packaging for future use.
- b. Carefully examine all of the supplied parts to ensure nothing was damaged in shipment.
- c. Gather the tools and materials listed below. You will need these items to complete the installation.
 - Flat-head and Phillips-head screwdrivers
 - Electric drill and 1/2" (13 mm) and 1/8" (3 mm) drill bits
 - 3" (80 mm) hole saw
 - 7/16" open-end torque wrench set to 20 in.-lbs (2.25 N-m)
 - 7/16" open-end torque wrench set to 15 in.-lbs (1.7 N-m)
 - Socket wrenches
 - Light hammer and center punch
 - Adhesive tape and scribe or pencil
 - RG-6 or RG-11 RF coax cable(s), with "F" connectors, and termination tools (see [page 7](#))
 - Silicone sealant or equivalent
 - Satellite TV receiver(s)/DVRs for your desired service (see Figure 2)
 - Wi-Fi-enabled laptop PC with the latest TracVision software and satellite library downloaded from the KVH Partner Portal (www.kvh.com/partners), or Apple® iOS or Android™ smartphone/tablet with the latest downloads via the TracVision TV/RV mobile app

Figure 1: TracVision TV6 System Components

Antenna



TV-Hub

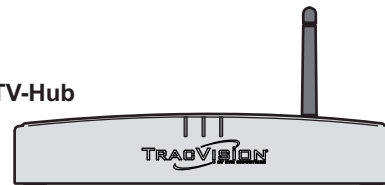


Figure 2: KVH-Validated Receivers

Linear

For information on the recommended receivers for linear service, contact your local KVH dealer/distributor. Go to www.kvh.com/wheretogetservice to find a dealer/distributor near you.

DIRECTV*

DISH Network*

H20	311
H21	211
H22	211k
H23	211z
H24	
H25	
HR21, HR21 Pro	6100
HR22	6131
HR23	6400
HR24	
HR34	
HR44	

Bell TV*

* List is subject to change. For information on connecting different receiver models, contact KVH Technical Support.

2 Plan the Antenna Installation

Before you begin, consider the following antenna installation guidelines.

IMPORTANT!

Be sure to follow the guidelines below. Damage caused by an improper installation is not covered under KVH warranty.

- Minimize blockage. The antenna requires a clear view of the sky to receive satellite TV (see Figure 3). The fewer obstructions, the better the system will perform.
- Consider the distance between your antenna and any radar. KVH requires that you do not mount the antenna on the same level as the radar, because the radar's energy may damage the LNB. Most radar transmitters emit RF energy within an elevation range of -15° to $+15^{\circ}$ (see Figure 4). Therefore, mount the antenna outside of this elevation range and at least 3 ft (1 m) away from the radar.

IMPORTANT!

Never place the antenna in the beam path of the radar, regardless of distance. The radar's energy may damage the antenna or impair its performance.

- Make sure the mounting surface is wide enough to accommodate the antenna's base (see Figure 5). Also make sure it is flat, level (within $\pm 1^{\circ}$), strong enough to support the antenna's weight, and rigid enough to prevent antenna vibration.
- Select a location that is as close as possible to the intersection of the vessel's fore-and-aft centerline and midships.
- Be sure to mount the antenna near enough to the TV-Hub to allow you to connect the 100 ft (30 m) coax cable between them, while still maintaining sufficient slack in the cable.

NOTE: If you need to use a longer cable, use a RG-11 (75 Ω) cable that does not exceed 200 ft (60 m) in length (see "Prepare the RF Cables" on page 7).

Figure 3: Blockage from Obstruction

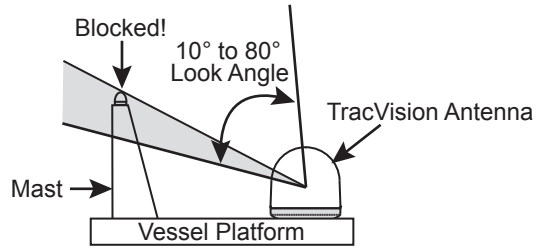


Figure 4: Distance from Radar

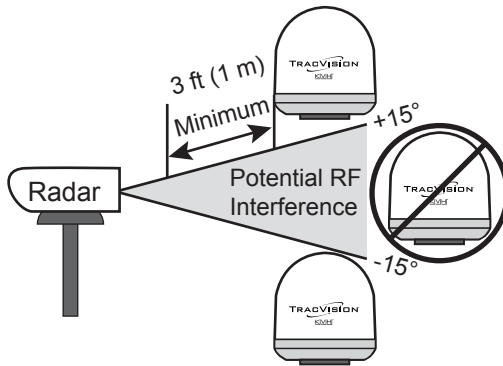
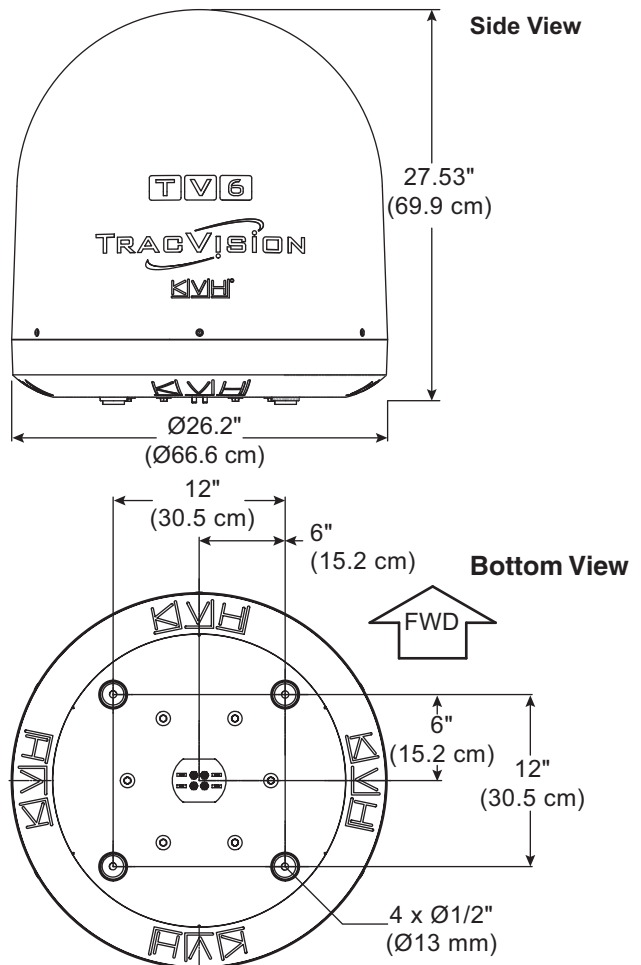


Figure 5: Antenna Dimensions



3 Plan the TV-Hub Installation

Consider the following TV-Hub installation guidelines.

- Select a mounting location in a dry, well-ventilated area belowdecks away from any heat sources or salt spray.
- Do not install the TV-Hub in an area surrounded by metal or near any electrical devices that emit RF noise.
- The TV-Hub can be mounted horizontally or vertically on a flat surface (see Figure 6 and Figure 7).
- Be sure the TV-Hub LED lights will be visible to the user.
- Select a location that will provide adequate clearance for the TV-Hub dimensions (see Figure 6 and Figure 7).
- Leave enough room behind the rear panel (horizontal mount) or below the rear panel (vertical mount) to accommodate connecting the cables and making service loops within the proper bend radius.
- If you plan to use the TV-Hub's Wi-Fi connections, ensure the TV-Hub mounting location provides adequate Wi-Fi reception.
- If you plan to connect the TV-Hub to the vessel's onboard local area network (LAN), choose a location near an available Ethernet port.

NOTE: A template showing the exact locations of the TV-Hub mounting holes and the dimensions between them is provided in the Welcome Kit. Installation details are provided in ["Mount the TV-Hub"](#) on page 11.

Figure 6: TV-Hub Dimensions - Horizontal Orientation

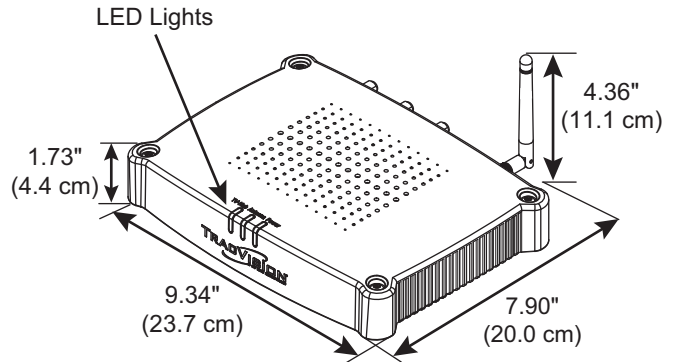
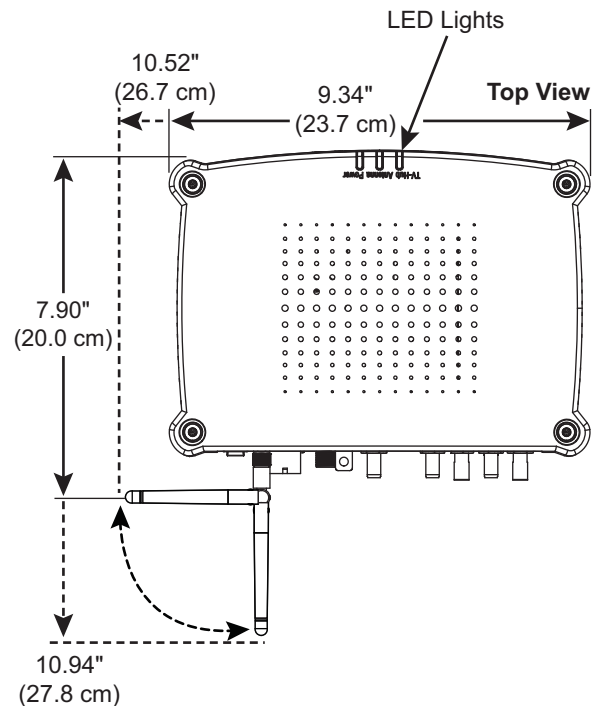


Figure 7: TV-Hub Dimensions - Vertical Orientation



4

Prepare the Antenna Site

Once you have identified a suitable antenna mounting site, according to the guidelines provided on [page 4](#), follow these steps to drill the mounting holes and cable access hole to prepare the site for installation.

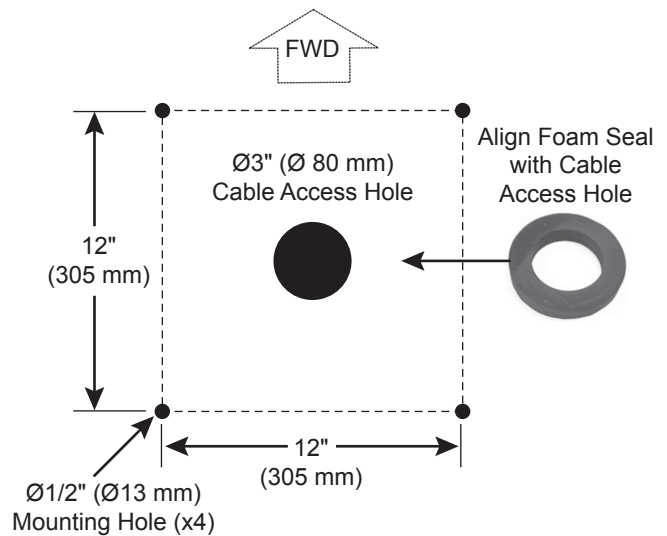
- a. Unfold the antenna mounting template (supplied in the Customer Welcome Kit) and place it onto the mounting surface. Make sure the “FWD” (forward) arrow points toward the bow and is **parallel** to the vessel’s centerline (see Figure 8). Tape in place.

*NOTE: You don’t need to mount the antenna exactly on the vessel’s centerline (the closer, the better), but the antenna’s forward arrow must be **parallel** to it.*

- b. Using a light hammer and center punch, mark the locations for the four mounting holes and cable access hole on the mounting surface in the locations indicated on the template.
- c. Drill a 1/2" (13 mm) hole at the four mounting hole locations you marked in Step **b**. Later, you will insert four 3/8"-16 bolts through these holes to secure the antenna to the mounting surface.
- d. Cut out the 3" (80 mm) cable access hole in the location you marked in Step **b**. Smooth the edges of the hole to protect the cables. Later, you will route the RF cable(s) through this hole and into the vessel.
- e. Clean and dry the antenna mounting surface.
- f. Peel off the paper backing from the supplied foam seal to expose the adhesive. Then press the foam seal down firmly onto the mounting surface, ensuring the hole in the foam seal aligns with the cable access hole in the mounting surface (see Figure 8).

NOTE: Apply the foam seal to the vessel mounting surface, not to the antenna’s baseplate. You will have difficulty connecting the cable(s) to the antenna if the foam seal is attached to the baseplate.

Figure 8: Antenna Mounting Holes Layout



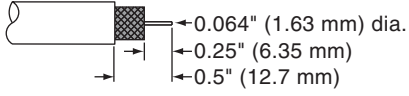
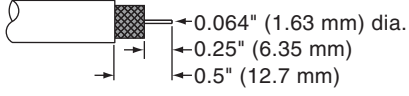
5 Prepare the RF Cables

Determine the necessary type of RF cable(s) and connectors you need for any RF cables that are required in addition to what is supplied in the antenna kit (see Figure 9 and Figure 10 on page 8). Then follow the guidelines below to prepare the cable(s).

IMPORTANT!

- Do not reuse old RF cables from a previous antenna installation. The RF1 cable between the TV-Hub and the antenna carries not only satellite signal, but power and data as well. Therefore, the integrity and reliability of this cable is critically important.
- RF cables must be rated for 75Ω, not 50Ω.
- Use of any cables not specified in Figure 9 will void the warranty.
- Low-quality, poorly terminated, or improperly installed RF cables are the most common cause of system problems. Terminate all RF cables with high-quality “F” connectors using the proper stripping/crimping tools, exactly to the manufacturer’s specifications.
- When determining cable lengths, be sure to account for an adequate service loop, approximately 8" (20 cm) at both ends of each cable.

Figure 9: RF Cable Requirements

Up to 100 ft (30 m) Cable Run	
Cable	RG-6 (KVH part no. 32-0417-0100)
Connector	Thomas & Betts SNS1P6 (KVH part no. 23-0170)
Tools	Augat IT1000 (KVH part no. 19-0242)
Strip Lengths	
Up to 200 ft (60 m) Cable Run	
Cable	RG-11 (KVH part no. 32-1272-0200)
Connector	Thomas & Betts SNS11AS (KVH part no. 23-0213)
Tools	Thomas & Betts CST596711, L3011B (KVH part no. 72-0493)
Strip Lengths	

Note: LMR-400-75 is a suitable substitute.

6 Wire the Antenna

Follow these steps to connect the antenna RF cable(s) to the antenna.

- a. First determine the number of RF coax cables you need for your installation (see Figure 10).
- b. Clearly label the RF1 cable at both ends. If you connect two or more RF cables, label both ends of each cable to match the connector. This will make it easier to identify them later.
- c. Route the RF cable(s) belowdecks through the 3" (80 mm) cable access hole. Leave an adequate service loop, approximately 8" (20 cm) of slack, in the cables for easy serviceability.
- d. Clean and dry the connectors on the RF cable(s) and the antenna (see Figure 11).

	CAUTION
<p>Observe the safe handling instructions in the Material Safety Data Sheet (MSDS) provided with the silicone grease.</p>	

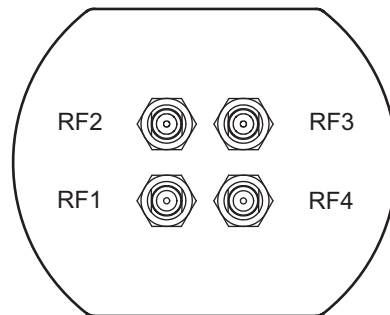
- e. Fill half of the inner body of the RF1 cable's connector with the supplied silicone grease.
- f. Connect and **SLOWLY** hand-tighten the RF1 cable to the "RF1" connector on the bottom of the antenna, allowing the grease to diffuse and settle into the entire space within the connector.
- g. Make sure the RF cable is hand-tightened all the way into the connector. Then tighten it with a 7/16" torque wrench to 20 in-lbs, or a 7/16" wrench for 1/4 turn.
- h. Wipe off any excess grease from the outside of the connector.
- i. Repeat steps **d-h** to connect any additional RF cables to the antenna's RF2, RF3, and RF4 connectors. Later, you will connect RF1 to the TV-Hub and any other RF cable(s) to a grounding block and receiver(s).
- j. Seal the RF cable connections with silicone sealant or equivalent.
- k. Weatherproof and seal the cable access hole as required.

Figure 10: Number of RF Coax Cables to Connect to Antenna

Connecting to:	RF Cables
<i>System with Circular LNB</i>	
1 receiver	1
2 or more receivers	1*
<i>System with Tri-Americas Circular LNB</i>	
2 or more receivers	2*
<i>System with DIRECTV L.A. Circular LNB</i>	
1 receiver	1
2 or more receivers	2*
<i>System with Linear Universal Quad LNB</i>	
1 receiver	1
2 receivers	2
3 receivers	3
4 receivers	4
More than 4 receivers	4*

* Multiswitch may be required.

Figure 11: Connectors on Bottom of Antenna



7 Remove the Shipping Restraint

Inside the antenna, a foam block prevents the antenna assembly from moving during shipment. Follow these steps to remove this shipping restraint.

- a. Remove the six #10-32 Phillips screws securing the radome to the baseplate (see Figure 12). Carefully lift the radome straight up until clear of the antenna assembly and set it aside in a safe place.

If you keep the radome topside, secure it with a lanyard to prevent it from falling overboard. Also, do not place the radome on a hot steel deck – the heat may warp the radome.

- b. Remove the foam block that is wedged beneath the antenna's reflector (see Figure 13). Save this restraint for future use; the customer will need to reinstall it if he/she needs to relocate or reship the antenna.

IMPORTANT!

Once you have removed the restraint, keep the antenna level as much as possible and handle the antenna very carefully. Prevent the internal antenna assembly from rotating freely within the baseplate to avoid damaging the limit switch.

Figure 12: Removing the Radome

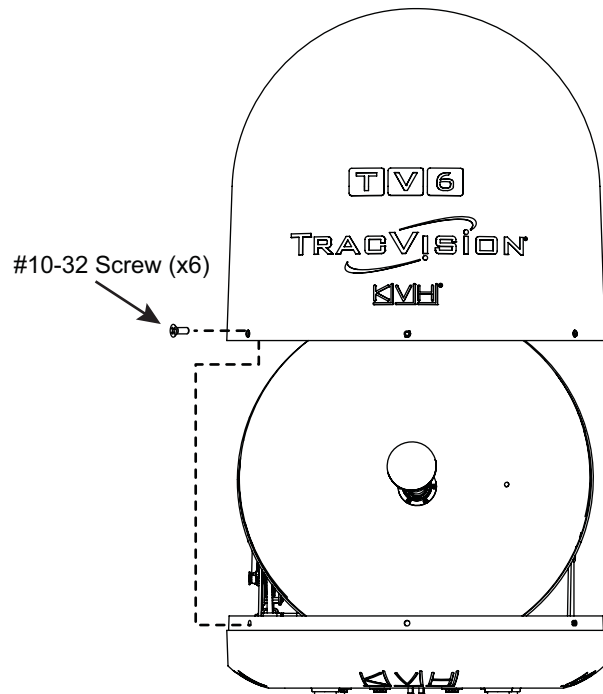
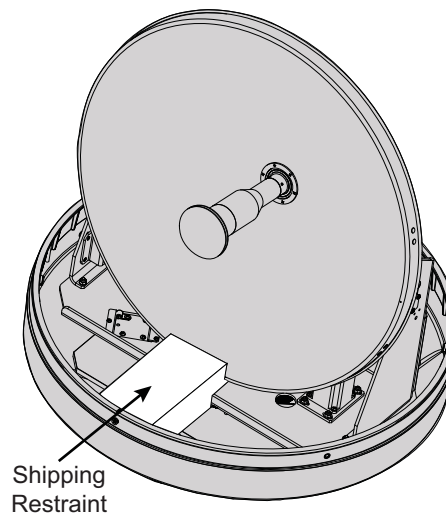


Figure 13: Foam Block Shipping Restraint



8 Mount the Antenna

Follow these steps to mount the antenna.

- a. Place the antenna over the holes drilled in the mounting surface. Ensure the forward arrow points toward the bow and is **parallel** to the vessel's centerline (see Figure 14).

IMPORTANT!

You will need to rotate the antenna assembly by hand to see all four mounting holes. Rotate it slowly to avoid damaging the limit switch.



CAUTION

Be sure to observe the safe handling instructions in the Material Safety Data Sheet (MSDS) provided with the anti-seize lubricant.

- b. Apply a thin layer of the supplied anti-seize lubricant to the threads of the four 3/8"-16 mounting bolts (see Figure 15).
- c. At each of the four baseplate mounting holes, place a 3/8" flat washer on a 3/8"-16 bolt and insert the bolt into the hole (with preinstalled 3/8" shoulder washer) from above (see Figure 15). To enable proper grounding, ensure the preinstalled shoulder washers are in place and were not dislodged during handling.
- d. Secure each mounting bolt to the mounting surface using a 3/8" shoulder washer, a 3/8" flat washer, and a 3/8"-16 lock nut from below. Tighten all four bolts until the four rubber feet on the baseplate are bottomed against the mounting surface and the foam seal is fully compressed. KVH recommends that you tighten the bolts to between 12 and 16 ft-lbs (16.2 and 21.7 N-m) of torque.
- e. Reinstall the radome onto the antenna. Secure in place with the six #10-32 screws you removed on [page 9](#). Hide and protect the screws with the plastic screw caps (supplied in the kit).

Figure 14: Forward Arrow in Antenna Baseplate

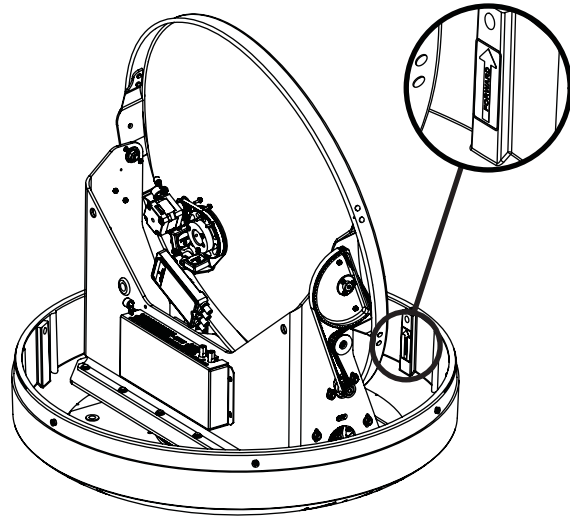
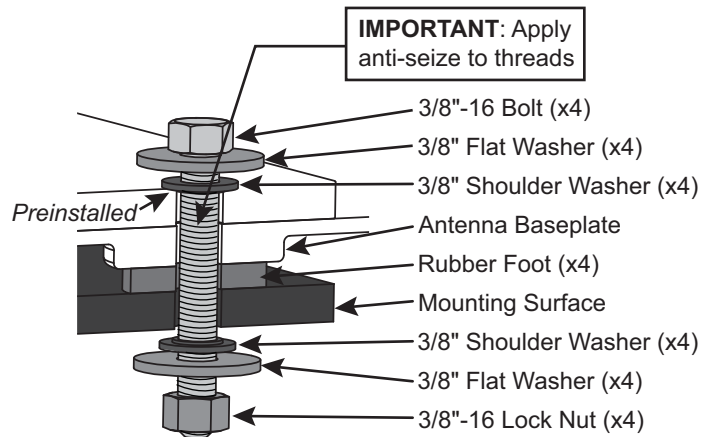


Figure 15: Mounting the Antenna (Side View)



9 Mount the TV-Hub

Follow these steps to install the TV-Hub inside the vessel.

- a. Tape the mounting template in the location selected for the TV-Hub. Punch holes at each of the two keyhole locations and at the mounting tab location.
- b. Remove the template.
- c. Drill a 1/8" (3 mm) hole at the three hole locations you marked in Step a.
- d. Install a #8 Phillips thread-forming screw partway into one of the keyhole holes leaving a small gap for hooking the TV-Hub onto it. Use the thickness (2.5 mm) of the M10 washer (supplied in the kit) as a gauge for the size gap to leave.
- e. Repeat step d for the other keyhole.
- f. Peel off the backing on the adhesive-backed washer (supplied in the kit) and place it over the mounting tab hole (see Figure 16).
- g. Align the wide part of the TV-Hub's keyholes, as shown in Figure 17, over the screws, then slide downwards to secure the screws into the narrow part of the keyholes.
- h. Press the rear mounting tab of the TV-Hub onto the adhesive washer and install the third #8 Phillips thread-forming screw in the mounting tab hole.

Figure 16: TV-Hub Mounting Template

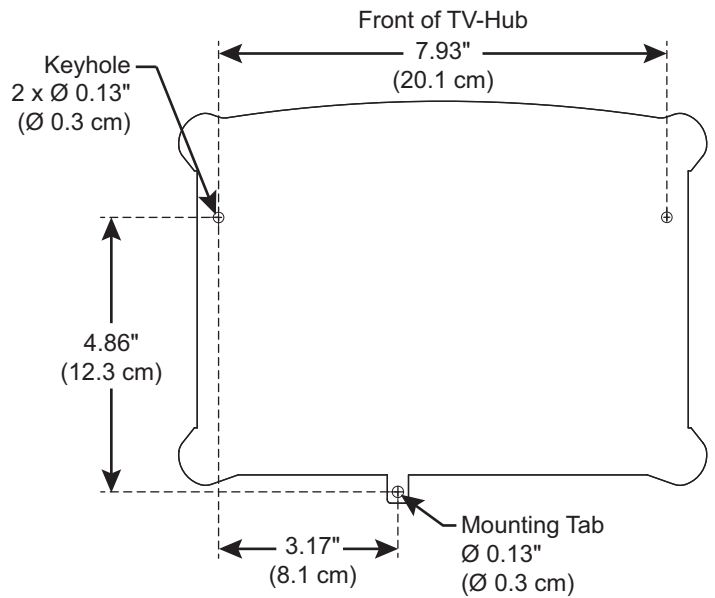
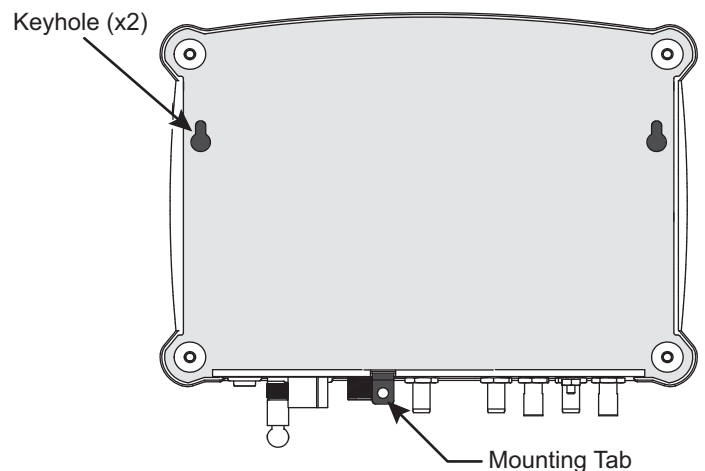


Figure 17: TV-Hub Keyholes and Mounting Tab



10 Wire the Antenna to the TV-Hub

Follow these steps to connect the antenna to the TV-Hub.

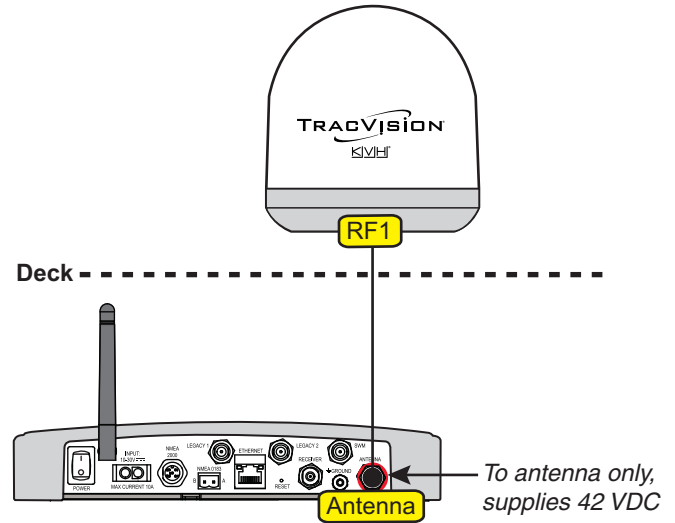
- a. Connect the RF1 cable from the antenna to the "Antenna" jack on the TV-Hub (see Figure 18).

IMPORTANT!

Do not connect anything other than the antenna's RF1 cable to the "Antenna" jack. The "Antenna" jack has 42 VDC on it which will damage other devices, such as multiswitches, receivers, DVRs, etc.

- b. Hand-tighten the RF cable until it is all the way into the "Antenna" jack. Then tighten it with a 7/16" torque wrench set to 15 in-lbs, or a 7/16" wrench 1/8 turn.

Figure 18: TV-Hub Antenna Connection



11 Wire the Receivers

The steps for connecting the customer's receiver(s) to the TracVision system and setting them up depends upon the customer's satellite TV service (see Figure 19 and Figure 20).

NOTE: KVH's *TracVision Configuration Wizard*, available at www.kvh.com/tvseriesconfigurator, displays a wiring diagram and parts list for all of the most common configurations.

Follow the steps in the applicable section below to wire the receivers. Then connect the receiver(s) to the customer's television(s).

Linear.....	page 14
DIRECTV (SWM).....	page 16
DIRECTV (Non-SWM)	page 18
DIRECTV Latin America	page 19
Tri-Americas.....	page 20
DISH Network/Bell TV	page 21

Figure 19: TV-Hub A Receiver Connections

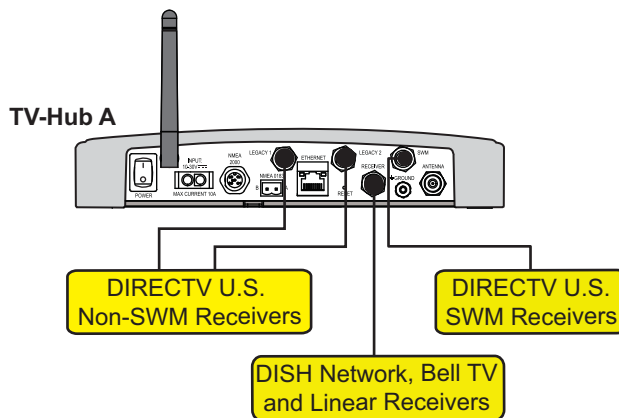
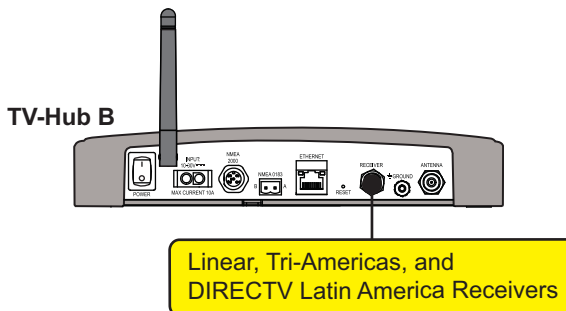


Figure 20: TV-Hub B Receiver Connections



11 Continued Wire the Receivers

Linear Wiring

Follow these steps to connect linear receivers to the TracVision system (*linear universal quad LNB required*).

Connecting 1-4 Linear Receivers

- Connect an RF cable from the "Receiver" jack on the TV-Hub to the "Satellite In" jack on the first receiver (see Figure 21). *This receiver will be able to control satellite selection in Automatic satellite switching mode.*
- When connecting multiple receivers, connect a grounding block in-line with each RF cable from the antenna (see Figure 22 and "[Grounding Requirements](#)" on page 23).
- Connect the other end of the RF1 cable to the "Antenna" jack on the TV-Hub.
- Connect any other RF cables from the antenna (RF2, RF3, and RF4) to the "Satellite In" jack on each additional receiver (see Figure 22).

IMPORTANT!

To enable any of the additional receivers to control satellite selection, install an optional IP AutoSwitch (KVH part no. 72-0634) in-line with the receiver's RF input. See Appendix A on [page 33](#) for details.

Figure 21: Wiring 1 Linear Receiver

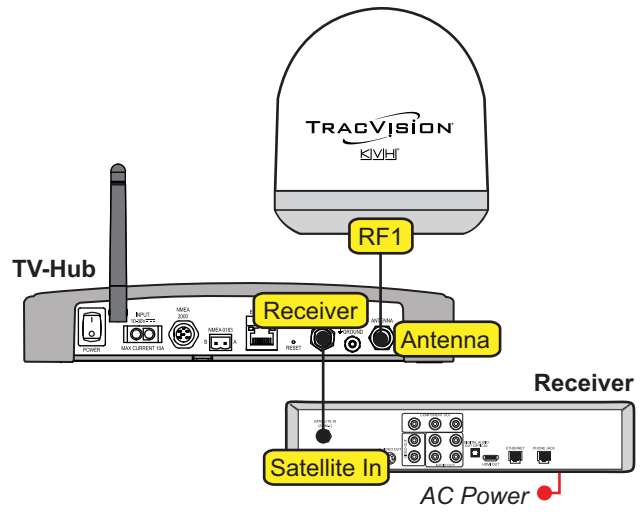
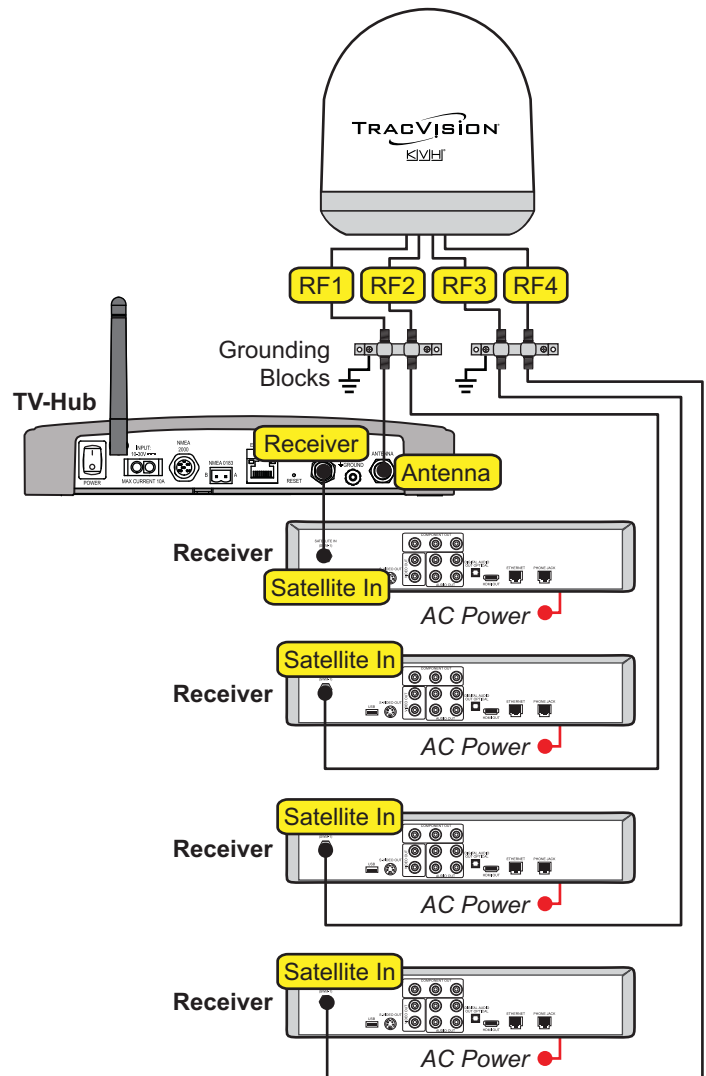


Figure 22: Wiring 2 to 4 Linear Receivers



11 Continued Wire the Receivers

Connecting 5 or More Linear Receivers

- a. Connect an RF cable from the “Receiver” jack on the TV-Hub to the “18V” jack on the multiswitch (see Figure 23).

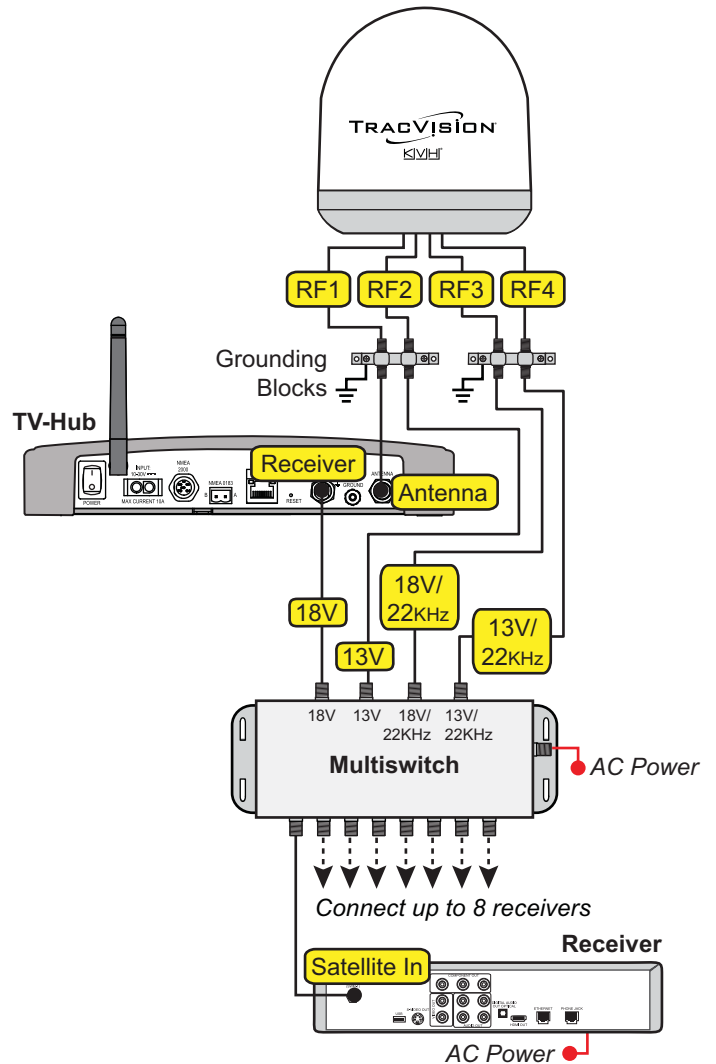
NOTE: If the desired satellite TV service is limited to channels carried on high-band transponders (for example, Sky Mexico), connect the RF cable from the TV-Hub to one of the “22KHz” tone inputs on the multiswitch, instead of the “18V” input. In addition, since you do not need the “18V” and “13V” inputs for high-band transponders, you only need to connect the RF1 and RF2 cables to the multiswitch; RF3 and RF4 are unnecessary.

- b. Connect a grounding block in-line with each RF cable from the antenna (see Figure 23 and “Grounding Requirements” on page 23).
- c. Connect the other end of the RF1 cable to the “Antenna” jack on the TV-Hub.
- d. Connect the RF2, RF3, and RF4 cables to the multiswitch, as shown in Figure 23.
- e. Connect each multiswitch output to the “Satellite In” jack on each receiver.
- f. Terminate any unused outputs on the multiswitch with 75Ω terminators and verify all connections are tight.

IMPORTANT!

To enable any of the receivers to control satellite selection, install an optional IP AutoSwitch (KVH part no. 72-0634) in-line with the receiver’s RF input. See Appendix A on page 33 for details.

Figure 23: Wiring 5+ Linear Receivers



11 Continued Wire the Receivers

DIRECTV – SWM Wiring

Follow these steps to connect DIRECTV SWM receivers to the TracVision system (*circular LNB and TV-Hub A required*).

NOTE: You can connect non-SWM receivers as well, as explained in “DIRECTV – Non-SWM Wiring” on page 18.

Connecting 1 SWM Receiver

Connect an RF cable from the “SWM” jack on the TV-Hub to the “Satellite In” jack on the receiver/DVR (see Figure 24).

Connecting 2-8 SWM Receivers (or Tuners)

- Connect an RF cable from the “SWM” jack on the TV-Hub to the “SWM” input on the SWM splitter (supplied in the kit) (see Figure 25).
- Connect the SWM splitter’s outputs to the “Satellite In” jack on the receivers/DVRs (or “Network” jack when connecting a Genie client). You can connect any number of SWM and Genie devices that add up to 8 tuners or fewer. Refer to Figure 25 to determine the tuners consumed by each type of device.
- Terminate any unused outputs on the SWM splitter with the supplied 75Ω terminators and verify all connections are tight.

IMPORTANT!

If you need to receive local channels on the 119W satellite, and you want the antenna to automatically switch between the 101W and 119W satellites, you need to use the DIRECTV coax network. See Appendix B on page 37 for details.

Figure 24: Wiring 1 DIRECTV SWM Receiver

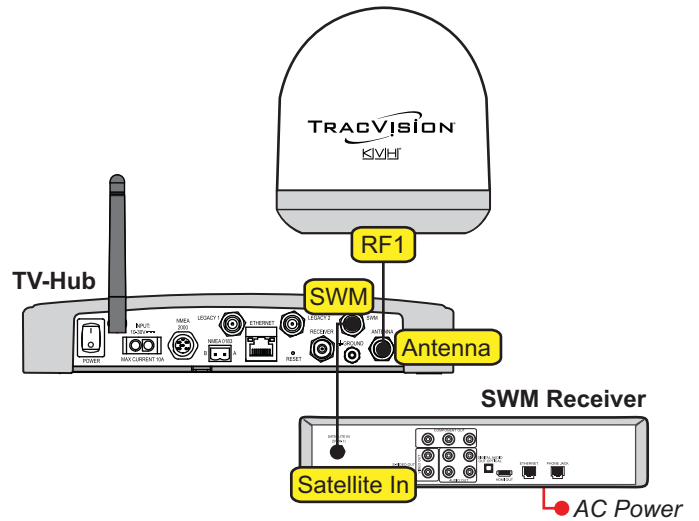
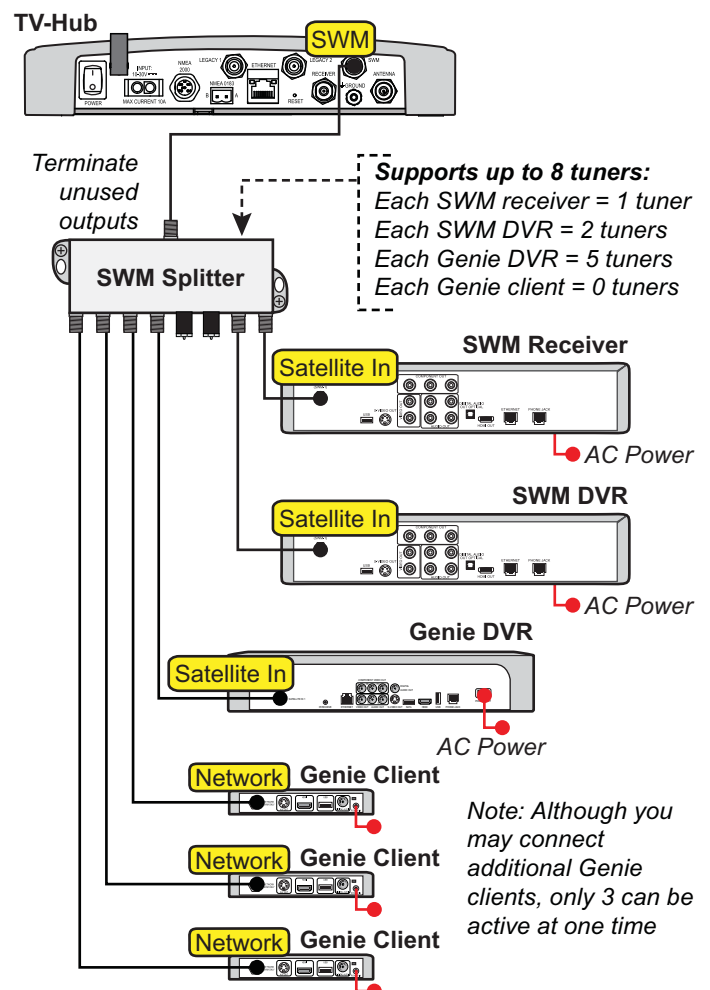


Figure 25: Wiring a DIRECTV SWM Splitter



11 Continued Wire the Receivers

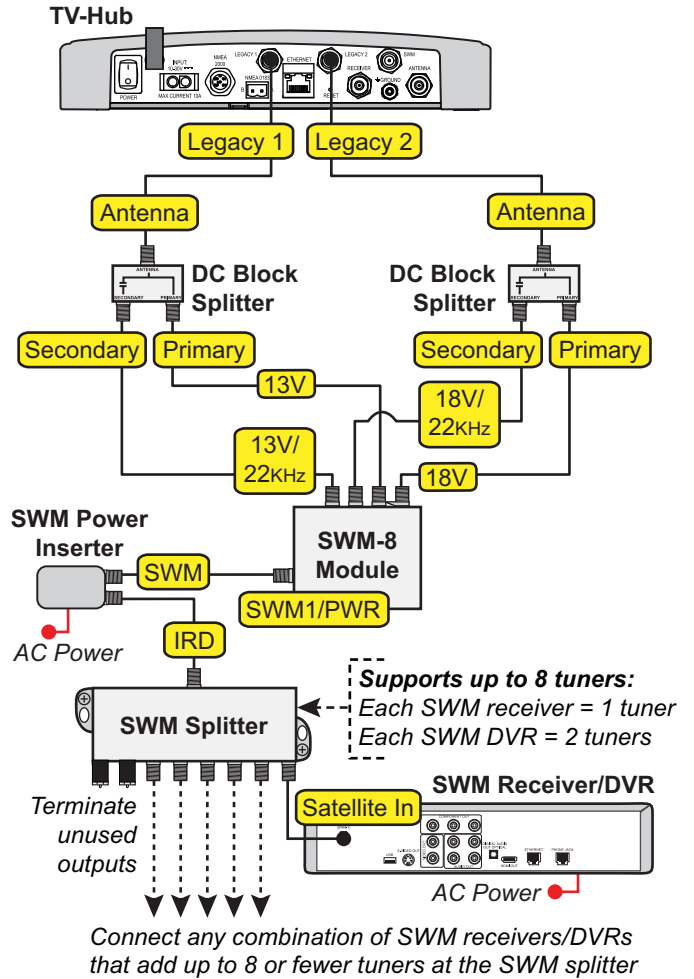
Connecting 9-16 SWM Receivers (or Tuners)

To connect more than 8 tuners, first follow the steps for 2-8 tuners, as explained on the previous page. Then install an external SWM-8 kit (KVH part no. 72-0678). Connect the kit to the “Legacy” jacks on the TV-Hub then connect the SWM devices, as shown in Figure 26.

IMPORTANT!

If you need to receive local channels on the 119W satellite, and you want the antenna to automatically switch between the 101W and 119W satellites, you need to use the DIRECTV coax network. See Appendix B on [page 37](#) for details.

Figure 26: Wiring a DIRECTV External SWM-8 Kit



11 Continued Wire the Receivers

DIRECTV – Non-SWM Wiring

Follow these steps to connect non-SWM receivers to the TracVision system (*circular LNB and TV-Hub A required*).

IMPORTANT!

Non-SWM receivers are limited to manual satellite switching only.

NOTE: You can connect SWM receivers as well, as explained in “DIRECTV – SWM Wiring” on page 16.

Connecting 1-2 Receivers

- Connect an RF cable from the “Legacy 1” jack on the TV-Hub to the “Satellite In” jack on the receiver (see Figure 27).
- When installing two receivers, connect an RF cable from the “Legacy 2” jack on the TV-Hub to the “Satellite In” jack on the second receiver.

Connecting 3 or More Receivers

To connect three or more non-SWM receivers, you need an 8-output multiswitch kit (KVH part no. 72-0677), which includes two DC block splitters.

- Connect an RF cable from the “Legacy 1” jack on the TV-Hub to the “Antenna” jack on one of the DC block splitters (see Figure 28).
- Connect the “Primary” jack on the DC block splitter to the “18V” jack on the multiswitch, and connect the “Secondary” jack on the DC block splitter to the “18V/22KHz” jack on the multiswitch.
- Repeat steps a and b with “Legacy 2” and the second DC block splitter using the “13V” and “13V/22KHz” jacks on the multiswitch.
- Connect the multiswitch outputs to the “Satellite In” jacks on the non-SWM receivers.
- Terminate any unused outputs on the multiswitch with 75Ω terminators and verify all connections are tight.

Figure 27: Wiring 1 to 2 DIRECTV Non-SWM Receivers

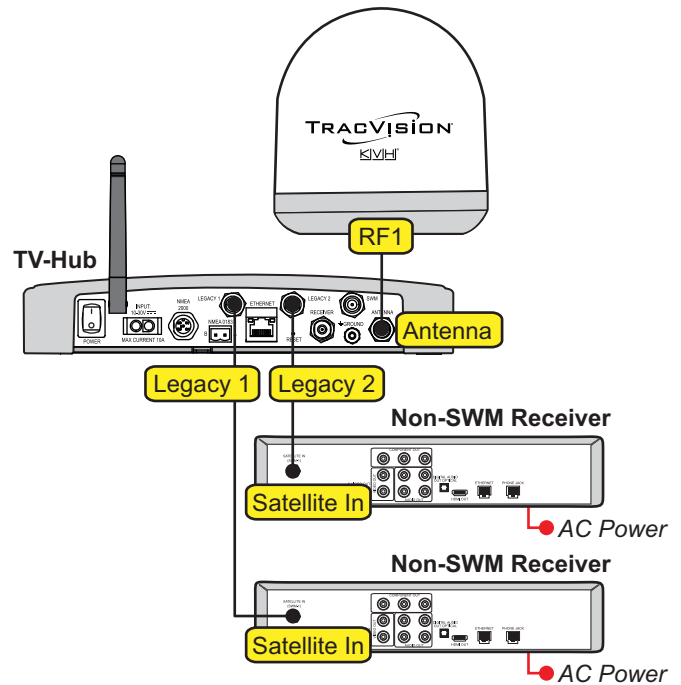
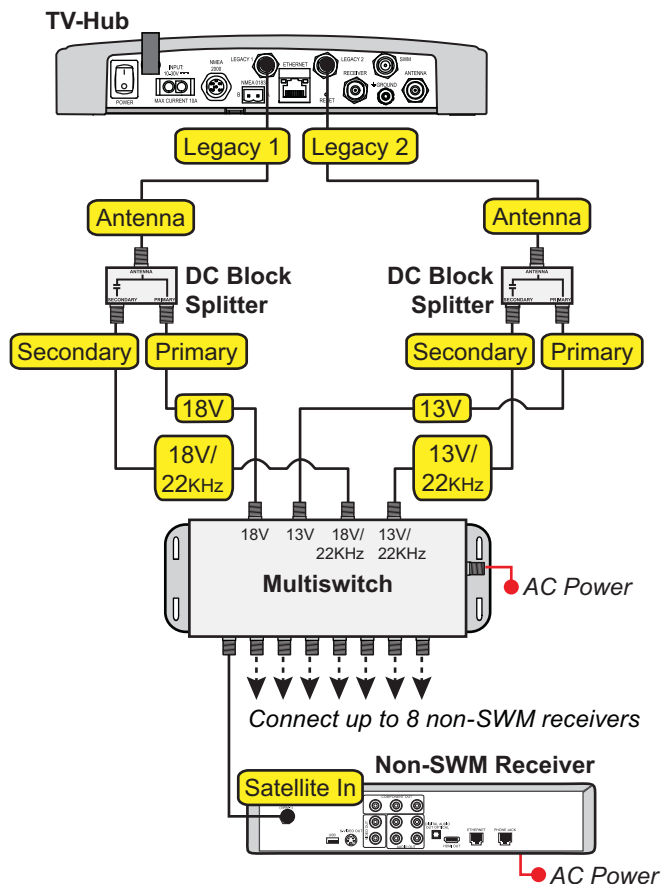


Figure 28: Wiring 3+ DIRECTV Non-SWM Receivers



11 Continued Wire the Receivers

DIRECTV Latin America Wiring

Follow these steps to connect DIRECTV Latin America receivers to the TracVision system (*DIRECTV L.A. circular LNB required*).

Connecting 1 Receiver

Connect an RF cable from the “Receiver” jack on the TV-Hub to the “Satellite In” jack on the receiver (see Figure 29).

Connecting Multiple Receivers

- Run a second RF cable (RF2) from the antenna (see “Wire the Antenna” on page 8). Be sure to connect a grounding block in-line with the RF1 and RF2 cables from the antenna (see Figure 30 and “Grounding Requirements” on page 23).
- Connect the RF2 cable from the grounding block to the “13V” jack on the power inserter (supplied in the kit).
- Connect the “V-OUT” jack on the power inserter to the “18V” jack on the multiswitch (supplied in the kit).

NOTE: If you need to connect more than four receivers, install a multiswitch that has more outputs. KVH offers an 8-output multiswitch (KVH part no. 19-0573).

- Set the power inserter’s switch to the “17/18V-HORZ, 13/14V-VERT” position.
- Connect the “Receiver” jack on the TV-Hub to the “13V” jack on the multiswitch.
- Connect the multiswitch outputs to the “Satellite In” jacks on the receivers.
- Terminate any unused outputs on the multiswitch with 75Ω terminators and verify all connections are tight.

Figure 29: Wiring 1 DIRECTV Latin America Receiver

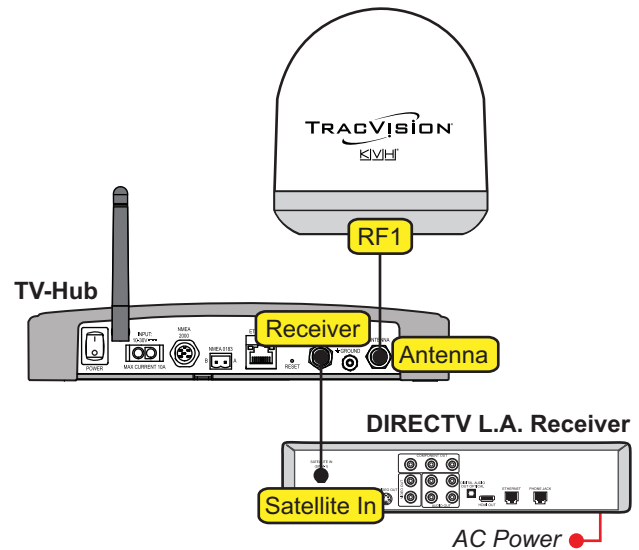
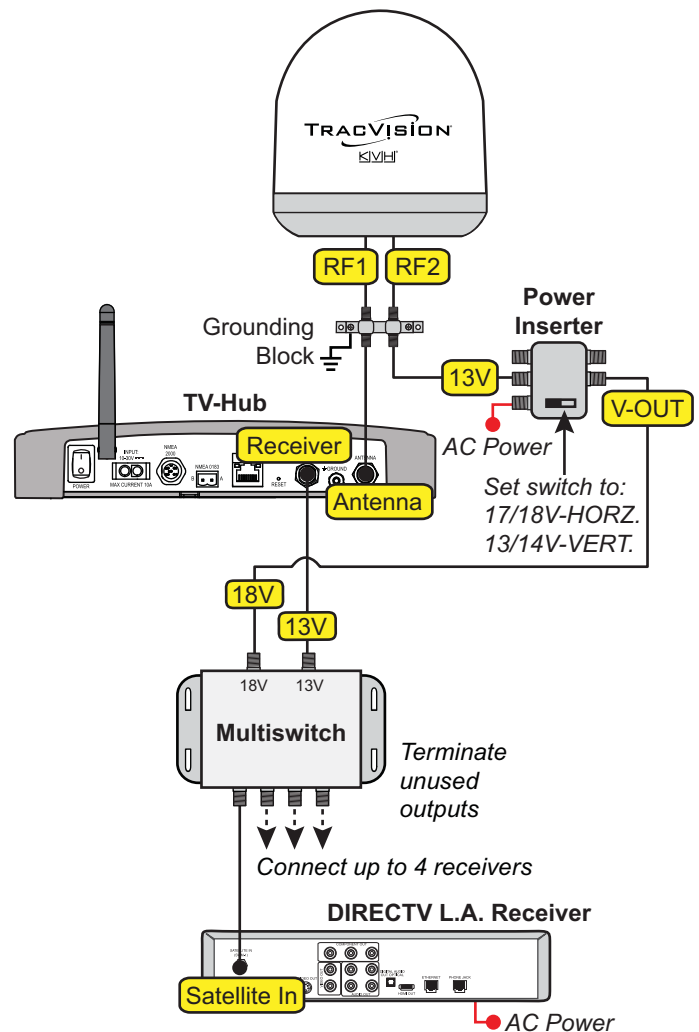


Figure 30: Wiring Multiple DIRECTV Latin America Receivers



11 Continued Wire the Receivers

Tri-Americas Wiring

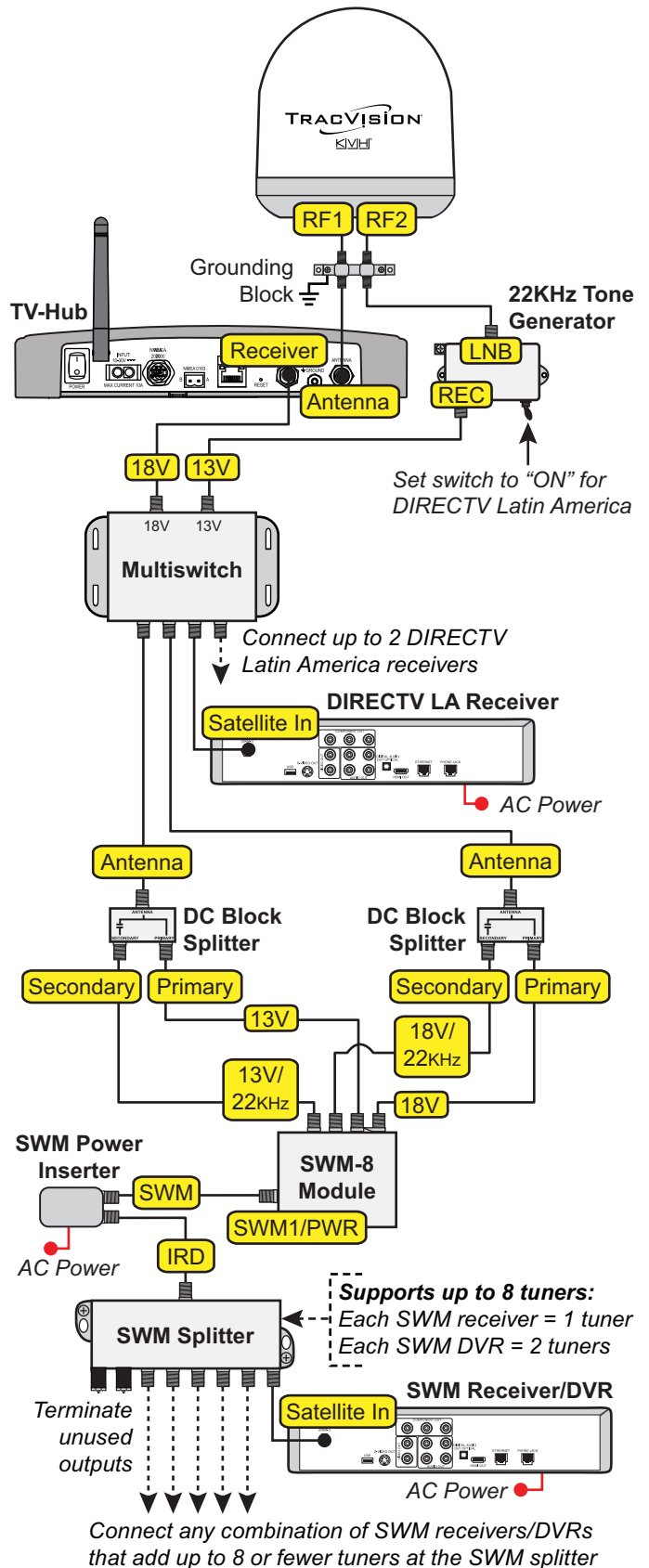
Follow these steps to connect both DIRECTV Latin America and DIRECTV U.S. receivers to the TracVision system (see Figure 31) (*Tri-Americas LNB required*).

- Run a second RF cable (RF2) from the antenna (see [“Wire the Antenna”](#) on page 8). Be sure to connect a grounding block in-line with the RF1 and RF2 cables from the antenna (see Figure 31 and [“Grounding Requirements”](#) on page 23).
- Connect the RF2 cable from the grounding block to the “LNB” jack on the 22KHz tone generator (supplied in the kit).
- Connect the “REC” connector on the tone generator to the “13V” jack on the multiswitch (supplied in the kit).
- Connect the “Receiver” jack on the TV-Hub to the “18V” jack on the multiswitch.

NOTE: If you need to connect more receivers, install a multiswitch that has more outputs. KVH offers an 8-output multiswitch (KVH part no. 19-0573).

- Connect the multiswitch outputs to the “Satellite In” jacks on the DIRECTV Latin America and any non-SWM DIRECTV U.S. receivers. To connect SWM DIRECTV U.S. receivers, connect the external SWM-8 kit (supplied in the kit) to the multiswitch. See [“Connecting 9-16 SWM Receivers \(or Tuners\)”](#) on page 17 for details.
- Terminate any unused connectors on the multiswitch and SWM splitter with 75Ω terminators and verify all connections are tight.
- For DIRECTV Latin America service, set the tone generator switch to the “ON” position; when using DIRECTV U.S. service, set the tone generator switch to “OFF.”

Figure 31: Wiring a Tri-Americas System



11 Continued Wire the Receivers

DISH Network and Bell TV Wiring

Follow these steps to connect DISH Network or Bell TV receivers to the TracVision system (circular LNB required).

IMPORTANT!

Receivers must be DISH Pro-compatible. Look for the DISH Pro logo on the box.

Connecting 1 Receiver

Connect an RF cable from the “Receiver” jack on the TV-Hub to the “Satellite In” jack on the receiver (see Figure 32).

Connecting 2 or More Receivers

- Connect an RF cable from the “Receiver” jack on the TV-Hub to the “Antenna” jack on the DC block splitter (supplied in the kit).
- Connect the “Primary” jack on the DC block splitter to the “Satellite In” jack on the first receiver. *This receiver will be able to control satellite selection in Automatic satellite switching mode.*
- If you need to connect just a second receiver, connect the “Secondary” jack on the splitter to the “Satellite In” jack on the second receiver (see Figure 33).

If you need to connect three or more receivers, connect the “Secondary” jack on the splitter to the “18V” port on a multiswitch (see Figure 34). KVH offers a 4-output passive multiswitch (KVH part no. 72-0676) and an 8-output active multiswitch (KVH part no. 72-0677).

- When using a multiswitch, connect the multiswitch outputs to the “Satellite In” jacks on the receivers.

IMPORTANT!

To enable any of the additional receivers to control satellite selection in Automatic satellite switching mode, install an optional IP Autoswitch (KVH part no. 72-0634) in-line with its RF input. See Appendix A on [page 33](#) for details.

Figure 32: Wiring 1 DISH/Bell Receiver

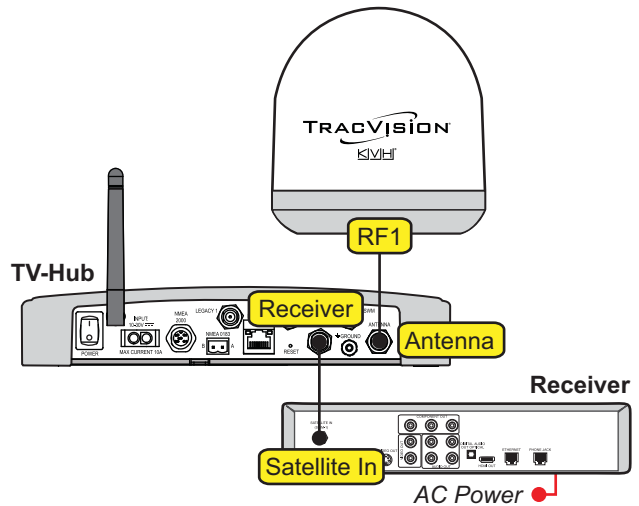


Figure 33: Wiring 2 DISH/Bell Receivers

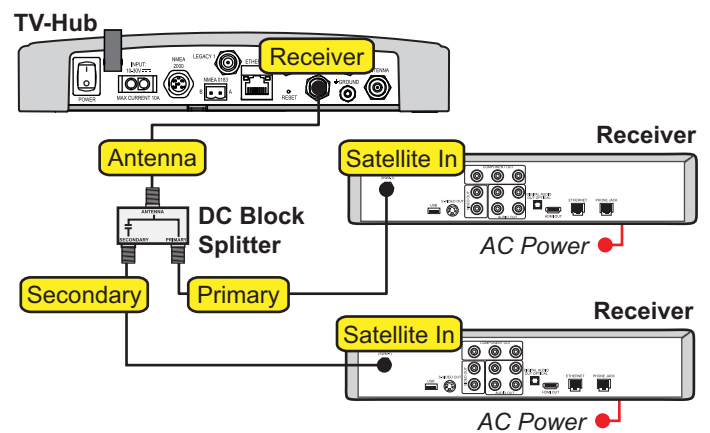
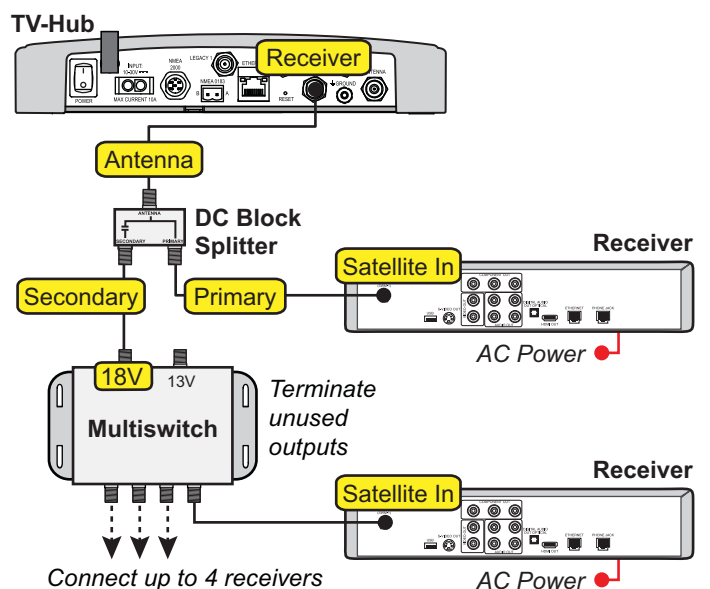


Figure 34: Wiring 3+ DISH/Bell Receivers



12 Connect a NMEA Device

Optional

At the customer's option, you can connect a NMEA device to the TV-Hub, allowing the antenna to use its GNSS position and heading data to speed up satellite acquisition. The current position and heading will also be displayed on the Home page of the web interface.

NOTE: The antenna system can only use and display true heading. If only magnetic heading is input, the TV-Hub will use the current location data to convert magnetic heading to true heading. Without a built-in GPS or NMEA GNSS input, the user-entered location will be used.

Follow these steps to connect a NMEA device to the TV-Hub, if desired.

NMEA 0183

- Wire and connect the 2-position terminal strip connector (supplied in the kit) as shown in Figure 35.
- Configure the NMEA device to transmit one or more of the supported NMEA 0183 messages at 4800 baud (see Figure 36).
- Make sure the data message(s) includes the checksum, identifiable by a *xx field at the end of the data sentence (e.g., \$HEHDT,123.4,T*1F). Do not exceed a 10 Hz input rate.

NMEA 2000

- Connect the TV-Hub to the vessel's NMEA 2000 CAN network backbone via a "T" connector, as shown in Figure 35. Be sure to use a standard drop cable: 5-wire (4 conductors + shield) twisted pair with micro-C connectors.
- Configure the NMEA device to transmit one or more of the supported NMEA 2000 messages (see Figure 37).

Later, you will select the NMEA source at the TracVision Setup Wizard (see "Setup Wizard" on page 30).

Figure 35: TV-Hub NMEA Connections

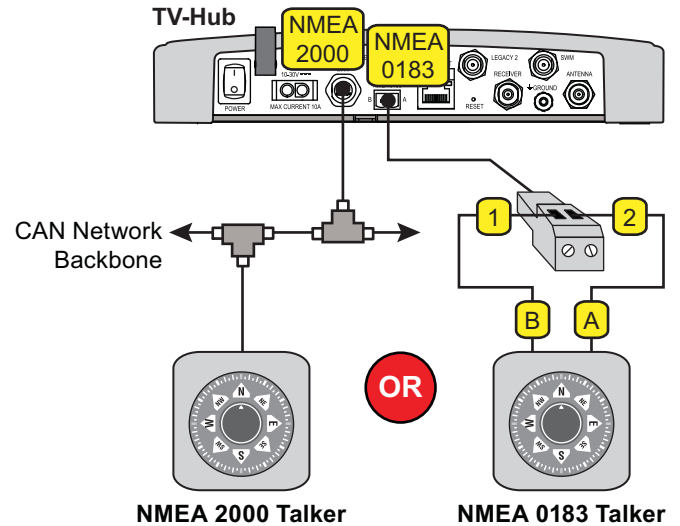


Figure 36: Supported NMEA 0183 Messages

NMEA 0183 \$--xxx	Description
HDG	Heading, Deviation & Variation
HDM	Heading, Magnetic
HDT	Heading, True
OSD	Own Ship Data
THS	True Heading & Status
VHW	Water Speed and Heading
RMC	GNSS Position Data

Figure 37: Supported NMEA 2000 Messages

PGN	Description
127250	Vessel Heading
129029	GNSS Position Data

13 Connect Power

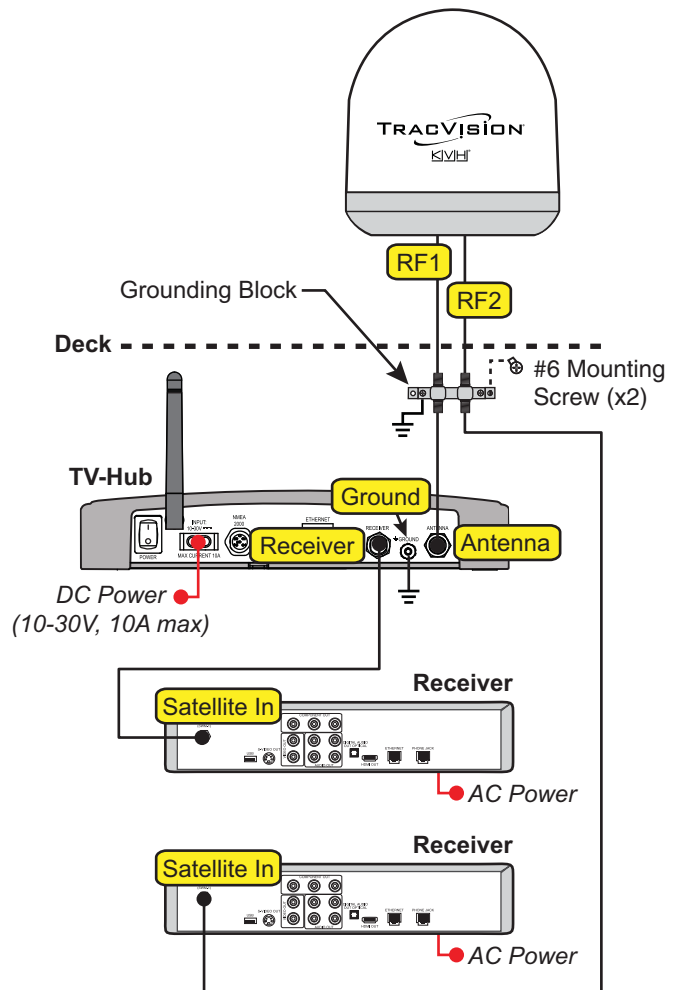
Before connecting power, be sure the vessel is properly grounded in accordance with marine standards.

Grounding Requirements

Proper grounding of the TracVision system to ship's ground is critically important, as it protects the equipment from lightning and electrostatic discharges (ESD). Follow these steps to ground the system.

- Connect the hoop of the grounding wire (supplied in the kit) to the "Ground" screw on the rear panel of the TV-Hub. Connect the other end to ship's ground.
- If multiple RF cables are connected to the antenna, connect one or two grounding blocks in-line with all of the RF cables (a second grounding block is needed for RF3 and RF4). Attach a ground wire from each grounding block to ship's ground. Then mount each grounding block using the two supplied #6 screws (see Figure 38).

Figure 38: Grounding Block Example



WARNING

Failure to ground the TracVision system properly to the vessel's ground will cause an unsafe floating ground condition, risking damage to the antenna and electric shock, potentially resulting in DEATH. In a floating ground condition, the difference between the equipment's chassis ground and the vessel's ground can measure well over 100 volts, when it normally should not exceed 25 volts. Therefore, always measure the difference in potential between chassis ground and the vessel's ground to make certain that there is no dangerous floating ground condition, even if the ground pin of the vessel's AC power plug appears to be intact.

13 Continued Connect Power

Connect Power to the System

NOTE: When powering up a SWM configuration, apply power to all other system components before powering up the receivers and DVRs (tuners are assigned SWM channels during startup).

Follow these steps to connect power to the TracVision system (see Figure 39).

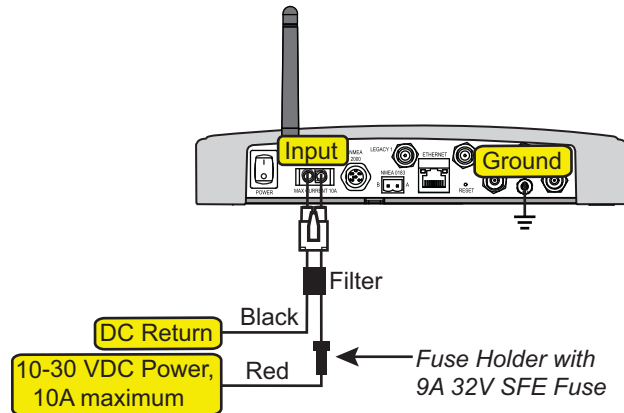
IMPORTANT!

All power connections must be hard wired.

- a. Make sure that the ground wire from the TV-Hub has been connected as described on the previous page.
- b. Connect the TV-Hub power cable (supplied in the kit) to the 10-30 VDC power input on the rear of the TV-Hub.
- c. Connect the black wire of the TV-Hub power cable to DC return (ship's ground).
- d. Connect the red wire of the TV-Hub power cable to the vessel's 12 VDC or 24 VDC power source (10-30 VDC is required at the TV-Hub).

NOTE: An optional 24 VDC AC-DC power supply (5 A, 120 W) is available from KVH (part no. 72-0669).

Figure 39: TracVision System Power



15 Access the Web Interface

Follow the steps for either option below to access the TV-Hub's web interface.

Option 1: Using the Wireless Connection

- a. Select the TVHub-<TV-Hub serial number> network from your device's Wi-Fi settings to connect to the TV-Hub (see Figure 42).
- b. Start your web browser and enter **http://tvhub.kvh**. If the web interface does not appear, try entering **http://172.16.0.1**, which is the default IP address of the TV-Hub.

Option 2: Using the Ethernet Connection

- a. Connect a laptop PC configured for DHCP directly to the "Ethernet" port on the TV-Hub (see Figure 43).
- b. Start your web browser and enter **http://169.254.253.1**.

NOTE: When connected to a vessel's LAN (see "Connect to an Onboard Network" on page 27), you will need to enter the IP address (dynamic or static) assigned to the TV-Hub. If your laptop has Bonjour[®] installed, you can use it to find the TV-Hub on the network without knowing its IP address.

Figure 42: Wi-Fi Connection

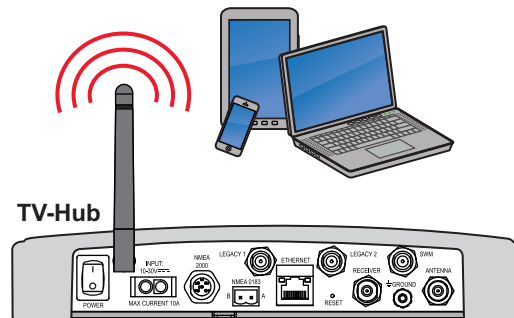
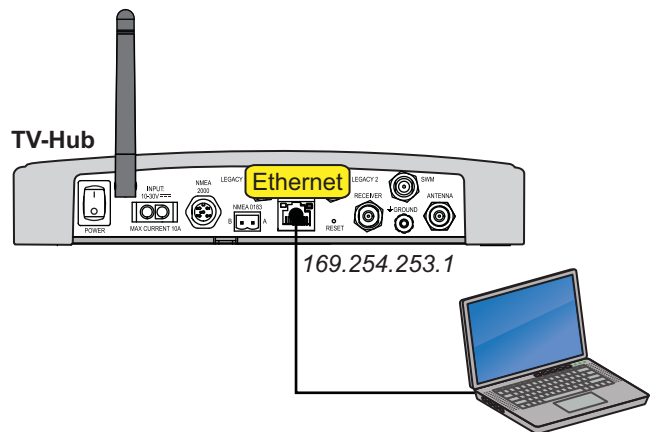


Figure 43: Wired Ethernet Connection



16 Connect to an Onboard Network

Optional

Connecting the TV-Hub to an onboard local area network (LAN) is required if any of the following conditions apply:

- One or more IP AutoSwitches are installed to enable automatic satellite switching (*Linear/DISH Network/Bell TV only*)
- Customer wants to access the TV-Hub's web interface using any device connected to the onboard network (see Figure 44)

NOTE: Connecting the TV-Hub to the onboard network using its Wi-Fi rather than an Ethernet cable is not recommended because you lose the ability to connect directly to the TV-Hub's built-in Wi-Fi. You will always need to connect via the network.

NOTE: The Reset button on the rear panel of the TV-Hub (see Figure 45) reverts all network settings back to their original factory settings.

Wired LAN Connection

- a. Connect the "Ethernet" port on the TV-Hub to the onboard network (LAN) using the supplied Ethernet cable.
- b. By default, the TV-Hub's Ethernet port is configured as a DHCP client, and the network's router automatically assigns it an IP address. However, in this **Dynamic** mode, the TV-Hub could get assigned a different IP address whenever it is turned on.

KVH recommends that you set the TV-Hub to **Static** mode and enter a static IP address at the web interface (see Figure 46) (go to Settings > Network Settings). Be sure to choose a static IP address that is outside the router's DHCP range (refer to the router's user manual for details on finding its range.)

IMPORTANT!

For systems with IP AutoSwitch(es), make sure they are on the same local LAN segment as the TV-Hub (see Appendix A on [page 33](#)).

For DIRECTV systems set up for automatic satellite switching, make sure the receiver(s) have IP addresses in the same subnet as the TV-Hub (see Appendix B on [page 37](#)).

Figure 44: TV-Hub Network Connections

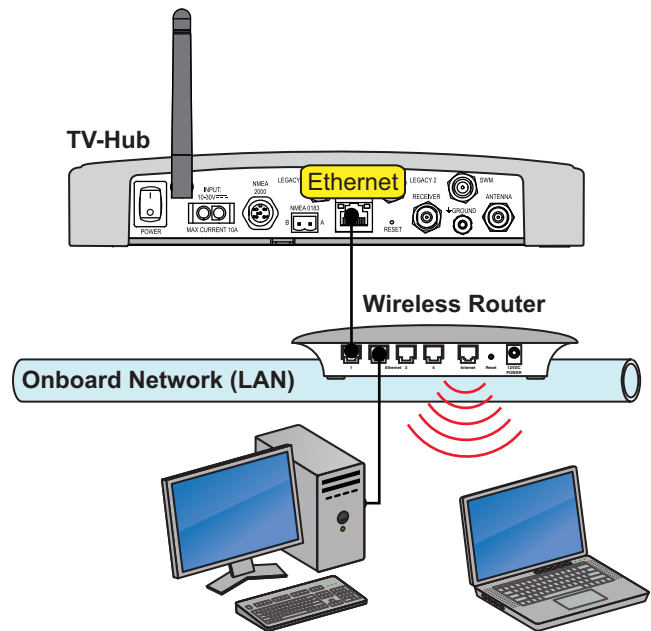


Figure 45: TV-Hub Reset Button

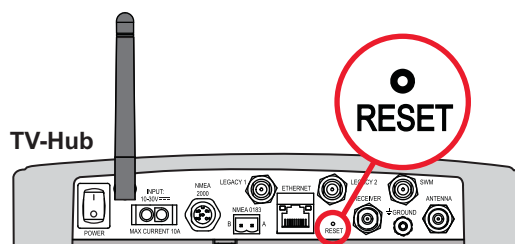


Figure 46: Web Interface Ethernet Settings

Ethernet Settings	
Mode	STATIC
IP Address	192.168.1.200
Subnet	255.255.255.0
Gateway	192.168.1.1
Broadcast	192.168.1.255

17 Secure the Wi-Fi Connection

By default, the TV-Hub's wireless settings are configured for the following:

- Wireless Mode: AP (Access Point)
- SSID: TV-Hub-<TV-Hub serial number>
- IP Address: 172.16.0.1
- Security Mode: Off

KVH strongly advises that you select the **WPA_PSK** security mode as shown in Figure 47 and assign a unique password to prevent unauthorized access to the TV-Hub (at the web interface, go to Settings > Network Settings). If you keep the default settings, you're allowing anyone to access the TV-Hub with their mobile device.

IMPORTANT!

KVH strongly recommends that you keep the TV-Hub set to AP (Access Point) wireless mode. If you select IF (Infrastructure) mode to connect the TV-Hub to your onboard network, you will no longer be able to access the TV-Hub's web interface directly.

Figure 47: TV-Hub Security and Password Setting

Wireless Settings	
Wireless Mode	AP (Access Point) ▼
SSID	TVHub-140311659
IP Address	172.16.0.1
Subnet	255.255.255.0
Gateway	172.16.0.1
Broadcast	172.16.0.1
Security Mode	WPA_PSK ▼
Password	240300659

18 Set Up the System

The Setup Wizard appears upon initial startup to step you through system configuration (see Figure 48). Before you begin to set up the system:

- Know the service provider and associated satellite(s)
- Check the latest software version (see below)
- Verify all system components are connected

Update Software and Satellite Library

Before you start the Setup Wizard, update the system software and satellite library to the latest versions. Use the Apple® iOS or Android™ smartphone/tablet mobile app, or follow these steps to use a laptop PC that has the latest update files downloaded to it from the KVH Partner Portal (www.kvh.com/partners).

- Select **Exit** in the Setup Wizard page. The web interface appears.
- At the Updates page of the web interface, select the antenna model. Then select **Install Update** (see Figure 49). Find the **.kvh** file in your downloads folder, then double-click to install.
- Wait for the update to complete. It may take up to 45 minutes. The TV-Hub's lights will alternate orange while the update is in progress. Once complete, the web interface will report that the latest version is installed.
- When the software update is complete, select the Satellite Library. Then select **Install Update**. Find the **.xml** file in your downloads folder, then double-click to install.
- Close the web interface. Then reopen it (see [“Access the Web Interface” on page 26](#)). The Setup Wizard will reappear since setup has yet to be completed.
- Select **Proceed with Setup Wizard**.

Figure 48: Setup Wizard Welcome Page

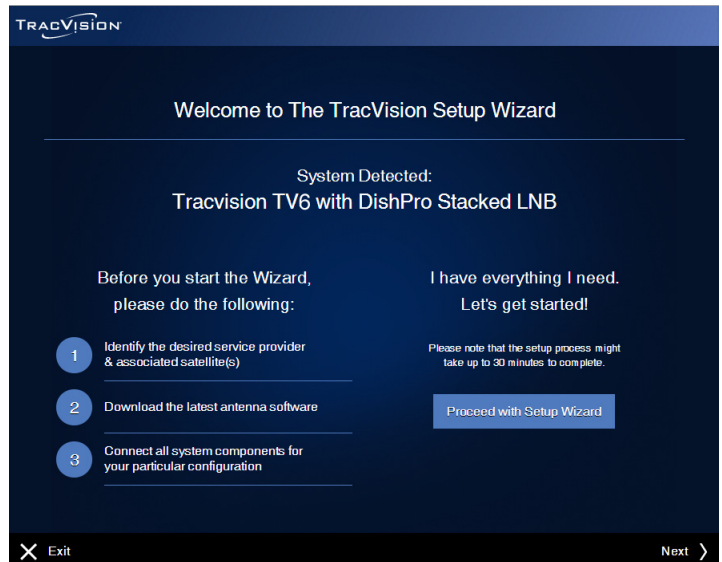
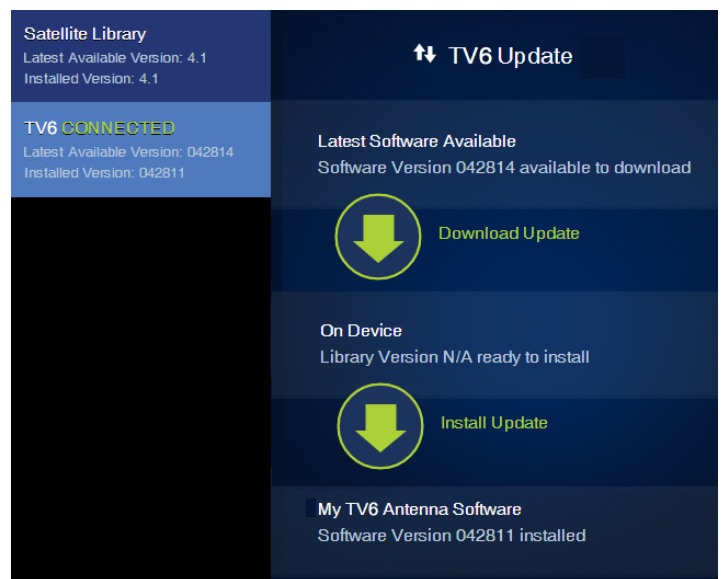


Figure 49: Software Updates Page



18 Continued Set Up the System

Setup Wizard

System configuration continues by prompting you to enter information or perform certain tasks, as necessary. For example:

- Enter installer and vessel information
- Select a source for GNSS position data
- Select a source for heading data (if NMEA device is connected)
- Select the satellite TV service
- Select satellite(s) to track (make your own selections or select one of the preset groups listed in Figure 50), or create user-defined satellites
- Set up automatic switching, if applicable

Additional Setup Information

Once the Setup Wizard has been completed, perform follow-up tasks such as:

- Set up receivers to operate with the system (as instructed by the Wizard)
- Activate the receivers (as instructed by the Wizard)

Figure 50: Preset Satellite Groups

Service	Satellites (A-B-C-D)
Linear	Europe 1: Hotbird, Astra1, Astra2S, Astra3 Europe 2: Astra3, Astra1, Hotbird, Astra2S Scandinavia: Astra4, Thor, Hotbird, Astra1
DIRECTV U.S.	DIRECTV Dual: 101W and 119W
DISH Network	Western Arc: 110W, 119W, 129W Eastern Arc: 61W, 72W, 77W Legacy East Arc: 61W, 110W, 119W DISH 500: 110W, 119W
Bell TV	Bell TV Dual: 82W, 91W
Tri-Americas (DIRECTV U.S. + Latin America)	Tri-Am TriSat: 101W, 119W, 95W Tri-Am Dual: 101W, 95W

Note: This list is subject to change.

18 Continued Set Up the System

Linear Receiver Setup for Automatic Switching

For automatic switching to work properly using the DiSEqC communications protocol, set up linear receivers for the same satellites installed in the TracVision system. Set up the satellites in the receiver in the exact same order as they were set up in the antenna. The specific setup process varies among receiver models – refer to the receiver’s manual for details. Use the table below and Figure 51 as a guide.

Satellites in Antenna	Matching Satellites in Receiver
Slot A	Port/Switch/LNB/DiSEqC 1 or A
Slot B	Port/Switch/LNB/DiSEqC 2 or B
Slot C	Port/Switch/LNB/DiSEqC 3 or C
Slot D	Port/Switch/LNB/DiSEqC 4 or D

Figure 51: Linear Receiver DiSEqC Settings (Example)

The screenshot displays the TV-Hub Web Interface for Receiver Setup. It is divided into two main sections: 'TV-Hub Web Interface' and 'Receiver Setup'.

TV-Hub Web Interface:

- Satellite Group Name:** MyEuropeGroup
- Slot A:** Hotbird 6,7,8 Europe - 13E
- Slot B:** Astra 1 - 19E
- Slot C:** Astra 4A - 5E
- Slot D:** Eutelsat W3A - 7E

Receiver Setup (Slot A): Ku_HOTBIRD 6,7A,8

- LNB Type: 09750/10600
- LNB Power: 13/18V
- 22KHz: Auto
- Toneburst: None
- DiSEqC1.0: LNB1
- DiSEqC1.1: None
- Motor: None

Receiver Setup (Slot B): Ku_ASTRAS 1H,1KR,1L,1M

- LNB Type: 09750/10600
- LNB Power: 13/18V
- 22KHz: Auto
- Toneburst: None
- DiSEqC1.0: LNB2
- DiSEqC1.1: None
- Motor: None

Receiver Setup (Slot C): Ku_ASTRAS 4A

- LNB Type: 09750/10600
- LNB Power: 13/18V
- 22KHz: Auto
- Toneburst: None
- DiSEqC1.0: LNB3
- DiSEqC1.1: None
- Motor: None

Receiver Setup (Slot D): Ku_Eutelsat 7E


- LNB Type: 09750/10600
- LNB Power: 13/18V
- 22KHz: Auto
- Toneburst: None
- DiSEqC1.0: LNB4
- DiSEqC1.1: None
- Motor: None

19 Educate the Customer

Before you leave the vessel, test the system to ensure the antenna works properly. Fill out the Installation Checklist (provided in the Welcome Kit) and return it to KVH. Refer to the instructions on the form.

Give the Welcome Kit to the customer, provide any passwords and static IP addresses you set up, and explain how to use the system. Ensure the customer understands the following.

- How to:
 - Turn on the system
 - Access the web interface
 - Switch satellites (see Figure 52)
 - Select a master receiver (see Figure 53)
 - Interpret TV-Hub status information
 - Download software and satellite library updates (using web interface and/or mobile app)
 - Perform general troubleshooting
- Keep the radome installed on the antenna at all times. The radome protects the antenna's moving parts from wind, rain, and debris.

 CAUTION
In the unlikely event that you need to remove the radome, remove power from the antenna first because the antenna's moving parts can cause injury.

- The antenna must have a clear view of the sky to receive satellite TV. Common causes of blockage include trees, buildings, bridges, and onboard equipment (see Figure 54). Heavy rain or snow might also temporarily interrupt reception.
- Clean the antenna regularly. Dirt buildup on the radome can affect satellite TV reception.
- You must be located within the satellites' coverage area to receive TV signals. Visit www.kvh.com/footprint for coverage maps.
- Please register the system to ensure the best possible service from KVH. Visit www.kvh.com/register for details.

Figure 52: Satellite Switching Selection on Home Page

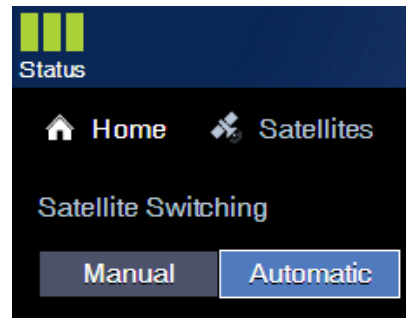


Figure 53: Master Receiver Selection

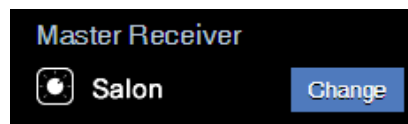
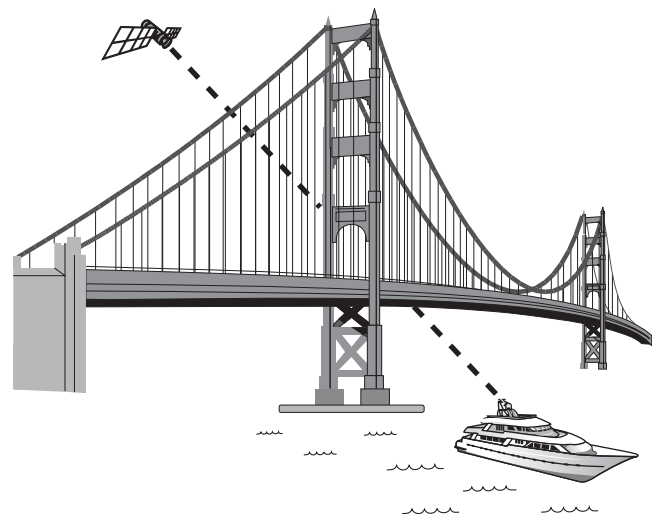


Figure 54: Blockage Example



A Installing an IP AutoSwitch

Follow these steps to add an IP AutoSwitch (KVH part no. 72-0634) to each DISH Network, Bell TV, or linear receiver you want to be able to control satellite selection in Automatic satellite switching mode.

NOTE: A receiver connected directly to the TV-Hub's "Receiver" jack can control satellite selection without an IP AutoSwitch.

Inspect Parts

Follow these steps to inspect the kit contents.

- a. Unpack the box and ensure it contains each of the following items:
 - 3 ft (1 m) Ethernet cable
 - 2 ft (60 cm) RF cable
 - 1.3 ft (40 cm) RF cable
 - 22 KHz Tone Blocker
 - Adhesive-backed Velcro strip
- b. Carefully examine all of the supplied parts to ensure nothing was damaged in shipment.
- c. Locate the serial number on the bottom of the IP AutoSwitch (see Figure 56) and record it on the Installation Checklist (supplied in the Welcome Kit) for future reference.

Choose a Mounting Location

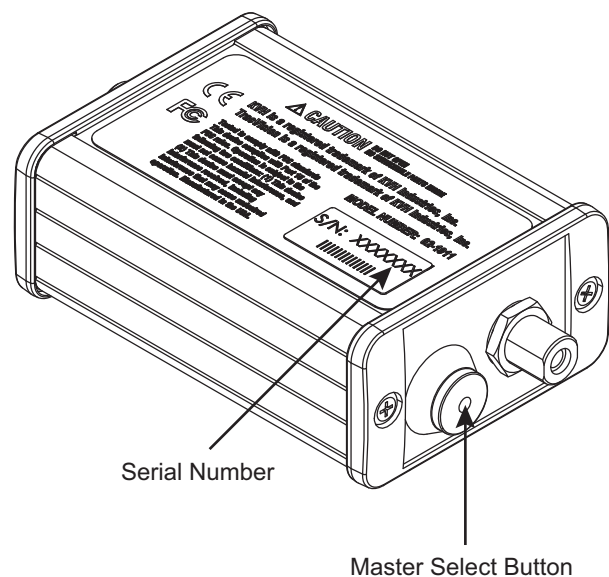
Choose a mounting location that meets the following requirements:

- Dry, well-ventilated, and away from heat sources
- Provides a clear view of and easy access to the Master Select button (see Figure 56)
- Provides adequate clearance for running the cables and allows for service loops and strain relief
- Within 2 ft (60 cm) of the associated receiver in order to use the supplied cable
- Either a horizontal or vertical surface

Figure 55: IP AutoSwitch



Figure 56: Serial Number and Master Select Button



A

Continued Installing an IP AutoSwitch

Wire the IP AutoSwitch

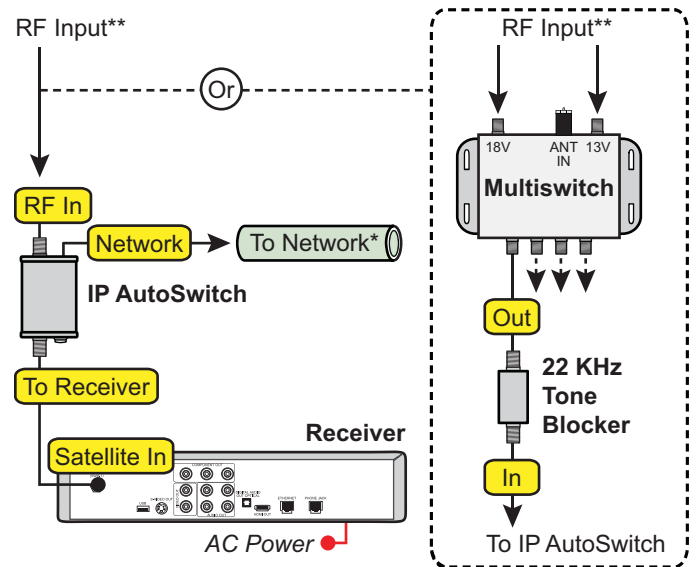
The wiring of the IP AutoSwitch depends on the specific configuration. Refer to the wiring diagrams provided in [“Wire the Receivers” on page 13](#), while following the general wiring steps below:

- Disconnect the RF input cable from the receiver and connect it to the “RF In” jack on the IP AutoSwitch. Then tighten to 15 in.-lbs of torque.
- Connect the supplied 2 ft (60 cm) RF cable from the “To Receiver” port on the IP AutoSwitch to the receiver’s satellite input and tighten to 15 in.-lbs of torque.

NOTE: If you are using a 3-input passive multiswitch (e.g., KVH Part No. 72-0676 or 72-0310), install a 22 KHz tone blocker (supplied in kit) inline between the multiswitch and the IP AutoSwitch (see Figure 57).

- Using the supplied Ethernet cable, connect the “Network” port of the IP AutoSwitch to the onboard network. If a network is not available, install a router as shown in Figure 57.
- If not already connected, connect the TV-Hub to the onboard network (see Figure 57).
- Using the supplied Velcro strip, secure the IP AutoSwitch to the mounting surface.

Figure 57: IP AutoSwitch Connections

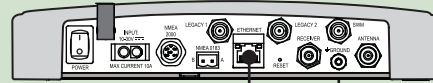


** Varies depending on your system configuration

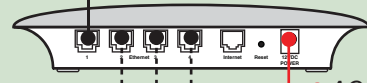
* Network Connections

Connect the TV-Hub and IP AutoSwitch(es) to your onboard network. If you do not have a network, install a router or router and switch as shown below.

TV-Hub



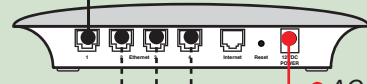
Router



Connect up to 3 IP AutoSwitches

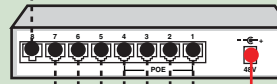
OR

Router



Connect up to 2 IP AutoSwitches

Switch



Connect up to 7 IP AutoSwitches

A

Continued Installing an IP AutoSwitch

Configure the IP AutoSwitch

When performing system setup (see “Set Up the System” on page 29), follow these additional steps to configure the IP AutoSwitch.

NOTE: KVH recommends that you run the Setup Wizard in the web interface whenever you change your system’s configuration by adding or removing devices.

- At the AutoSwitch page of the web interface, select **Add IP AutoSwitch** (Figure 58).
- Enter the serial number and choose a friendly name for the IP AutoSwitch (for example, “Salon”).
- Select **Save** to save your changes.

Select the Master Receiver

Any receiver connected to an IP AutoSwitch can become the master receiver for the system. The master receiver controls satellite selection.

IMPORTANT!

The TV-Hub has a built-in IP AutoSwitch. Any receiver connected directly to the TV-Hub can therefore be selected as a master receiver through the web interface.

- To choose the master receiver, select it on the Home page of the web interface, or press the Master Select button on the associated IP AutoSwitch.
- Verify that the LED in the Master Select button on the IP AutoSwitch is lit green (see Figure 59). The LEDs for any other IP AutoSwitches should be lit orange.

Figure 58: Add IP AutoSwitch Screen

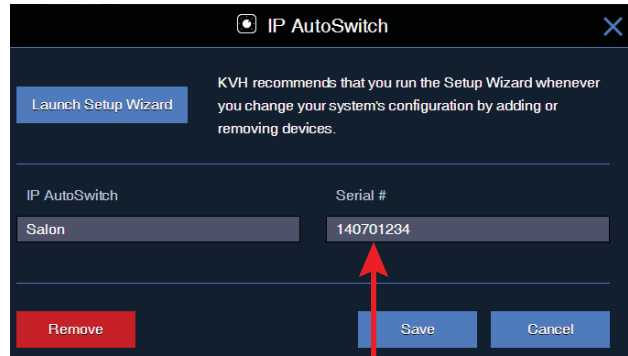


Figure 59: IP AutoSwitch LED Status Indications

LED Color	Indication
Orange	Registered with the system but not currently the master
Orange, flashing	Initializing
Red	Error: <ul style="list-style-type: none"> unable to communicate with the system, network is not detected, or unable to register
Green	Registered with the system and currently the master

A

Continued Installing an IP AutoSwitch

Band/Polarization Control

If your configuration consists of linear receivers connected via a multiswitch, and you installed one or more IP AutoSwitches, KVH recommends that you change the TV-Hub's Band/Polarization Control setting to **TV-Hub** (see Figure 60). You can find this setting on the Advanced Settings page of the web interface (go to Settings > Advanced Settings).

Description

TV channels can be carried on any of a linear satellite's four combinations of frequency band and polarization. Since only one of these signals can be delivered to a receiver at any one time, the receiver outputs a voltage/tone to request the band/polarization for the selected channel:

Voltage	Tone	Polarization	Band
13 VDC	Off	Vertical	Low
18 VDC	Off	Horizontal	Low
13 VDC	On	Vertical	High
18 VDC	On	Horizontal	High

Since the voltage/tone from the master receiver could differ from the voltage/tone present on the TV-Hub's "Receiver" jack, the TV-Hub will output band/polarization on that jack based on the Band/Polarization Control setting:

- **Master Receiver** (default setting): The output of the TV-Hub's "Receiver" port is the band and polarization that is currently selected by the master receiver. This setting ensures the antenna always has a valid band/polarization on which to track the satellite.
- **TV-Hub**: The TV-Hub ignores voltage/tone from the master receiver and outputs whichever band/polarization corresponds to the voltage/tone that is present on the coax cable connected to its "Receiver" port (see Figure 61). This allows a multiswitch to continue receiving all four combinations of band/polarization from the antenna.

Figure 60: Band/Polarization Control Setting

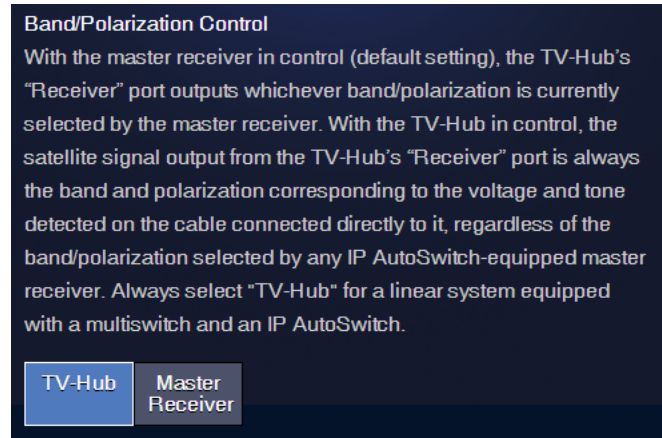
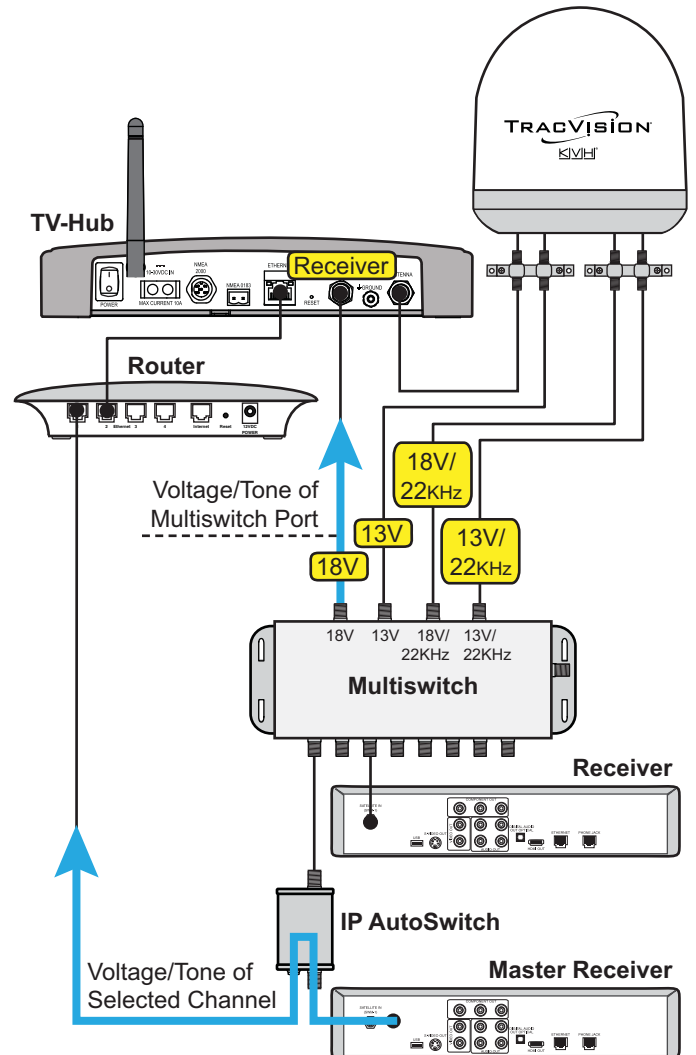


Figure 61: Linear Receivers with Multiswitch and IP AutoSwitch



B Using a DIRECTV Coax Network

In Automatic satellite switching mode, the TV-Hub can accept commands from the master SWM-compatible DIRECTV receiver to automatically switch between the 101W and 119W satellites. The TV-Hub communicates with the master receiver via the TV-Hub's Ethernet port link to the DIRECTV coax network. Follow the steps in this section to set up this communication link with SWM-compatible receivers

NOTE: The 119W satellite only carries local channels for certain regions of the country. (You can find a list of these regions in the Setup Wizard.) If the customer's locals are carried on DIRECTV's main 101W satellite, there is no need to switch satellites.

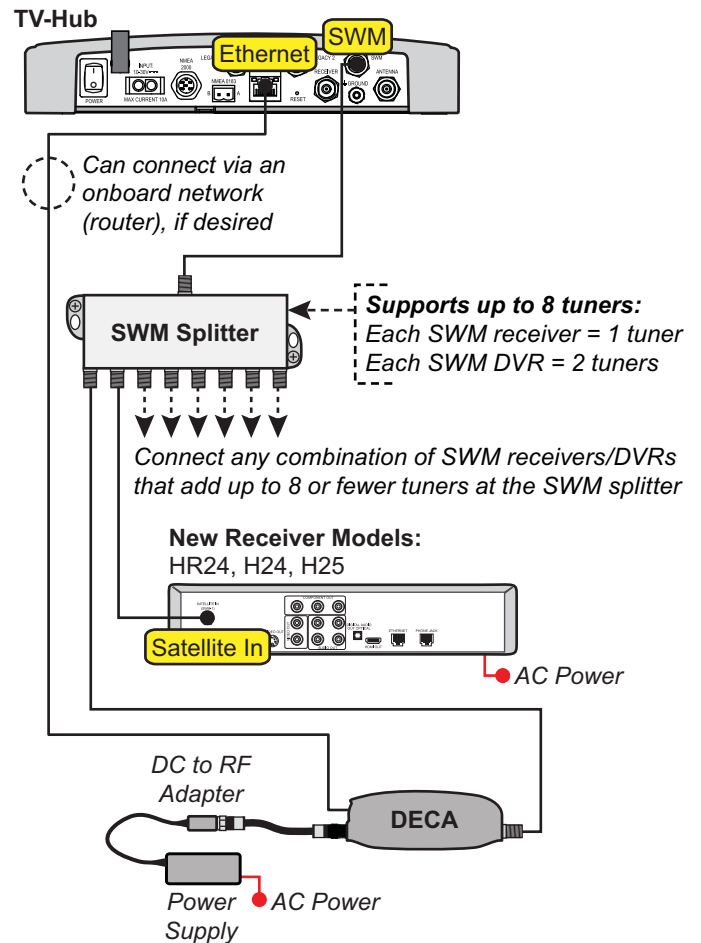
DIRECTV Coax Network Connections

DIRECTV recently adopted coax networking technology, by which both satellite TV signals and network communications data are carried by the coax cables. This simplifies installation, since Ethernet cables don't need to be run to all of the receivers.

Non-Genie Configurations

If a Genie DVR (HR44 or HR34) is not present on the DIRECTV SWM network, you need to install a DECA with power supply and DC to RF adapter, collectively referred to as a DECA Broadband Kit (KVH part no. 19-0860) and formerly called a Cinema Connection Kit. When connected to the SWM splitter and the TV-Hub's Ethernet port, either directly or via an onboard router, the DECA relays messages between the DIRECTV coax network and the Ethernet network (see Figure 62).

Figure 62: Non-Genie Configuration



B Continued Using a DIRECTV Coax Network

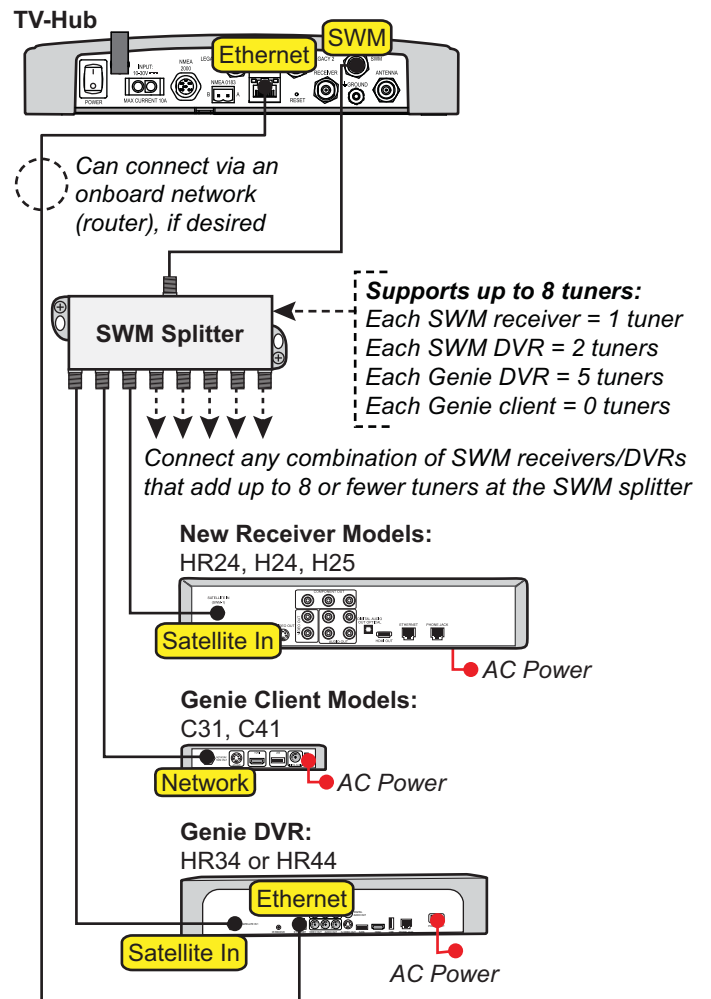
Genie Configurations

Full DECA Broadband functionality is built into Genie DVRs (HR44 or HR34). So if a Genie DVR is present on the DIRECTV SWM network, no external DECA Broadband kit is required. Just connect the Genie's Ethernet port to the TV-Hub's Ethernet port, either directly or via an onboard router (see Figure 63). The Genie DVR provides the link between the DIRECTV coax network and the Ethernet network.

NOTE: If you cannot easily connect the Genie DVR's Ethernet port to the TV-Hub or an onboard network, you can use a DECA Broadband Kit, as explained in "Non-Genie Configurations" on page 37.

NOTE: Genie clients cannot switch satellites; they can only view programming carried by the satellite that is currently selected.

Figure 63: Genie Configuration



B Continued Using a DIRECTV Coax Network

Additional Equipment for Older Receivers

In addition to the DECA Broadband Kit or a Genie DVR, you might need to connect an additional device in-line between the receiver and the SWM splitter, depending on the model (see Figure 64).

NOTE: Model HR20-100 requires additional devices not specified here. Contact KVH Technical Support.

H21, H22, H23, HR21, HR22, and HR23

These receivers do not have built-in DECA functionality, but they have an Ethernet port for network connectivity. An additional DECA (KVH part no. 19-0860) is required to support coax networking, supplying the satellite TV signal to the receiver's "Satellite In" port and network communications data to its Ethernet port. (If there are two of each port, use the "Satellite In 1" and "Ethernet 1" ports.)

NOTE: Each DECA you connect directly to a receiver is powered by the receiver. They do not require the separate power supply included in the kit.

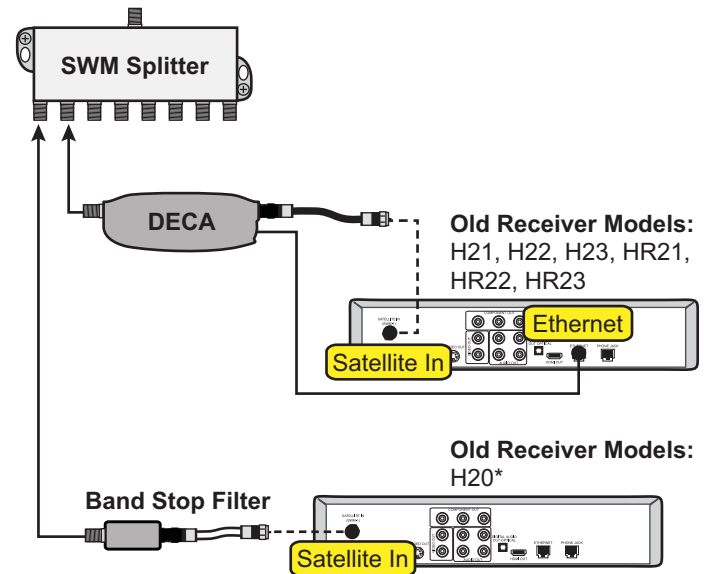
H20

This receiver is not network-ready. It is only designed to receive a satellite TV signal via its "Satellite In" port. Since both the satellite TV signal and network communications data are present on the coax cables, a band stop filter (KVH part no. 19-0868) is required to block the network data to prevent potential damage to the receiver. Since the H20 cannot communicate over the network, it cannot control satellite selection.

IMPORTANT!

Be sure to connect all band stop filters before connecting the coax cables.

Figure 64: Additional Equipment for Older Receivers



** Model HR20-100 may require additional hardware. Contact KVH Technical Support for details.*

B Continued Using a DIRECTV Coax Network

Configuring the DIRECTV Receivers for Automatic Switching

To establish communications between the TracVision system and each SWM-compatible DIRECTV receiver for automatic satellite switching, you need to set each receiver to a static IP address and enter that address, along with the receiver's location, in the TV-Hub's web interface.

Static IP Address Range WITHOUT an Onboard Network

If the DECA Broadband Kit or Genie DVR is connected directly to the TV-Hub's "Ethernet" port (no router is installed), set each receiver's IP address to any address ranging from 192.168.x.2 to 192.168.x.149, where $x=1 < \text{the last 2 digits in the TV-Hub's serial number}$.

For example, if the serial number of the TV-Hub is 140901484, you might assign an IP address of 192.168.184.2 (see Figure 65). Refer to the instructions in ["Assigning Static IP Addresses to DIRECTV Receivers"](#) on page 41. The TV-Hub has a hidden IP address of 192.168.x.1 reserved for automatic switching communications. This IP address is not shown on the Network Settings page of the web interface.

Static IP Address Range WITH an Onboard Network

If the TV-Hub and the DECA Broadband Kit or Genie DVR are connected to an onboard network (i.e., router), set each receiver to a static IP address that is outside the router's DHCP range (see Figure 66). (Refer to the router's user manual for details on finding its IP address range.) For example, if the router has an IP address of 192.168.1.1 and assigns IP addresses ranging from 192.168.1.100 to 192.168.1.149 via DHCP, you could set each receiver's IP address to any address ranging from 192.168.1.150 to 192.168.1.254. Refer to the instructions in ["Assigning Static IP Addresses to DIRECTV Receivers"](#) on page 41.

Figure 65: IP Addressing for Automatic Switching (Example)

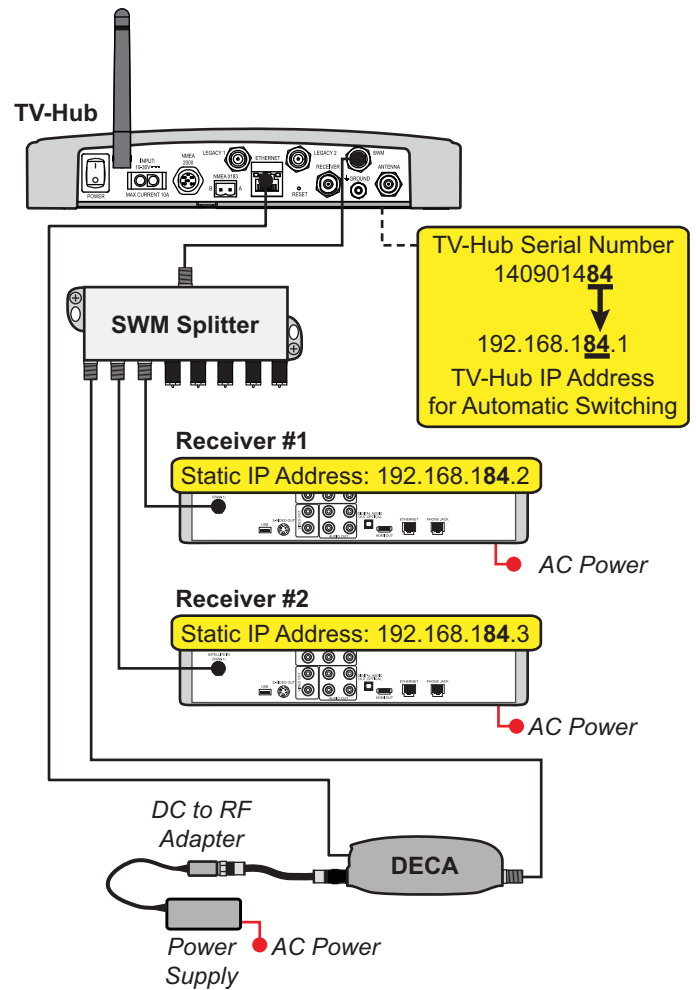


Figure 66: Router DHCP Settings (Example)

IP Address:	192 . 168 . 1 . 1
Subnet Mask:	255.255.255.0
Router Name :	Cisco76205
DHCP Server:	<input checked="" type="radio"/> Enabled <input type="radio"/> Disabled <input type="button" value="DHCP Reser"/>
Start IP Address:	192 . 168 . 1 . 100
Maximum Number of Users:	50
IP Address Range:	192 . 168 . 1 . 100 to 149
Client Lease Time:	0 minutes (0 means one day)

B Continued Using a DIRECTV Coax Network

Assigning Static IP Addresses to DIRECTV Receivers

Once you have identified a valid static IP address range for the receivers, follow these steps to assign a unique static IP address within that range to each receiver.

NOTE: These steps may vary, depending on the receiver's model and software version. Refer to the receiver's owner's manual for details.

- a. Press **MENU** on the receiver's remote control to access the onscreen menu.
- b. At the main menu, highlight **Settings & Help**. Then select **Settings**.
- c. Highlight and select **Network Setup**.
- d. Select **Advanced Setup**.
- e. Change the IP address to the new static IP address. (On a Genie DVR, the IP address is called the "Server IP") (see Figure 67).
- f. **WITHOUT an Onboard Network**
Enter "255.255.255.0" for the subnet mask, and enter the TV-Hub's IP address for default gateway and DNS.

WITH an Onboard Network

Enter the router's subnet mask, and enter the router's IP address for default gateway and DNS.

- g. Highlight and select **Connect Now** to save your changes. Disregard any error messages about missing Internet connectivity. Note this receiver's IP address and location onboard for future reference.
- h. Repeat this procedure for each additional receiver. Be careful not to use the same IP address twice.

Figure 67: IP Address on a DIRECTV Receiver (Example)

WITHOUT an Onboard Network (No Router)



WITH an Onboard Network (Using a Router)



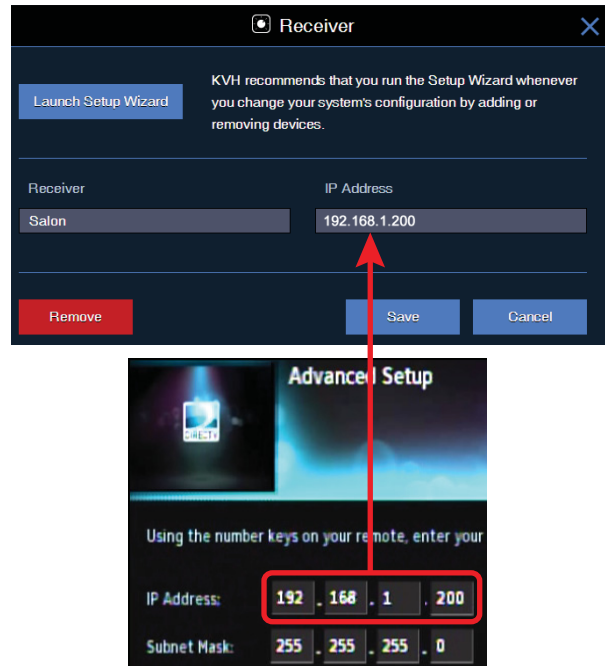
B Continued Using a DIRECTV Coax Network

- i. Add the new receivers to the Autoswitch page of the web interface. Enter each receiver's static IP address and assign it a friendly name (e.g., "Salon") (see Figure 68).

IMPORTANT!

Also be sure to set each receiver's Dish Type to **3-LNB** and Switch Type to **SWM**, and enable external device access, as directed by the TV-Hub's Setup Wizard. If the TV-Hub is then unable to communicate with the receiver, try resetting the receiver (press its red reset button or unplug it, wait 15 seconds, then plug it back in and turn it on).

Figure 68: Adding a DIRECTV Receiver to the Autoswitch Page





CE Declaration of Conformity

The undersigned of this letter declares that the following equipment complies with specified harmonized standards of EC Directives 2006/95/EC and 2004/108/EC.

Equipment included in this declaration

KVH TracVision® Satellite Television Systems, (Including All Variants)

PRODUCT DESCRIPTION
TracVision TV1 With IP Enabled TV-Hub
TracVision RV1 With IP Enabled TV-Hub
TracVision TV3 With IP Enabled TV-Hub
TracVision TV5 With IP Enabled TV-Hub
TracVision TV6 With IP Enabled TV-Hub
TracVision TV8 With IP Enabled TV-Hub

Declaration and Certification

The TracVision system complies with the following harmonized standards

REQUIREMENT	APPLIED STANDARD
Low Voltage Directive (Health and Safety)	EN 60950-1:2006/AC:2011
EMC:	EN60945:2002 + Corrigendum 1:2008
Conducted Emissions	EN 60945:2002 Section 9.2
Radiated Emissions	EN 60945:2002 Section 9.3
Immunity to Conducted Radio Frequencies	EN 60945:2002 Section 10.3
Immunity to Radiated Radio Frequencies	EN 60945:2002 Section 10.4
Immunity to Fast Transients	EN 60945:2002 Section 10.5
Immunity to power supply short term variations	EN 60945:2002 Section 10.7
Immunity to power supply failure	EN 60945:2002 Section 10.8
Immunity to electrostatic discharge	EN 60945:2002 Section 10.9

Manufacturer

KVH Industries, Inc.
50 Enterprise Center
Middletown, RI 02842-5279
USA

Rick Jones, Director of Corporate Quality

Date



www.kvh.com



KVH Industries A/S
EMEA Headquarters
Kokkedal, Denmark
Tel: +45 45 160 180 Fax: +45 45 160 181
E-mail: info@emea.kvh.com

KVH Industries, Inc.
World Headquarters
Middletown, RI U.S.A.
Tel: +1 401 847 3327 Fax: +1 401 849 0045
E-mail: info@kvh.com

KVH Industries Pte Ltd.
Asia-Pacific Headquarters
Singapore
Tel: +65 6513 0290 Fax: +65 6472 3469
E-mail: info@apac.kvh.com