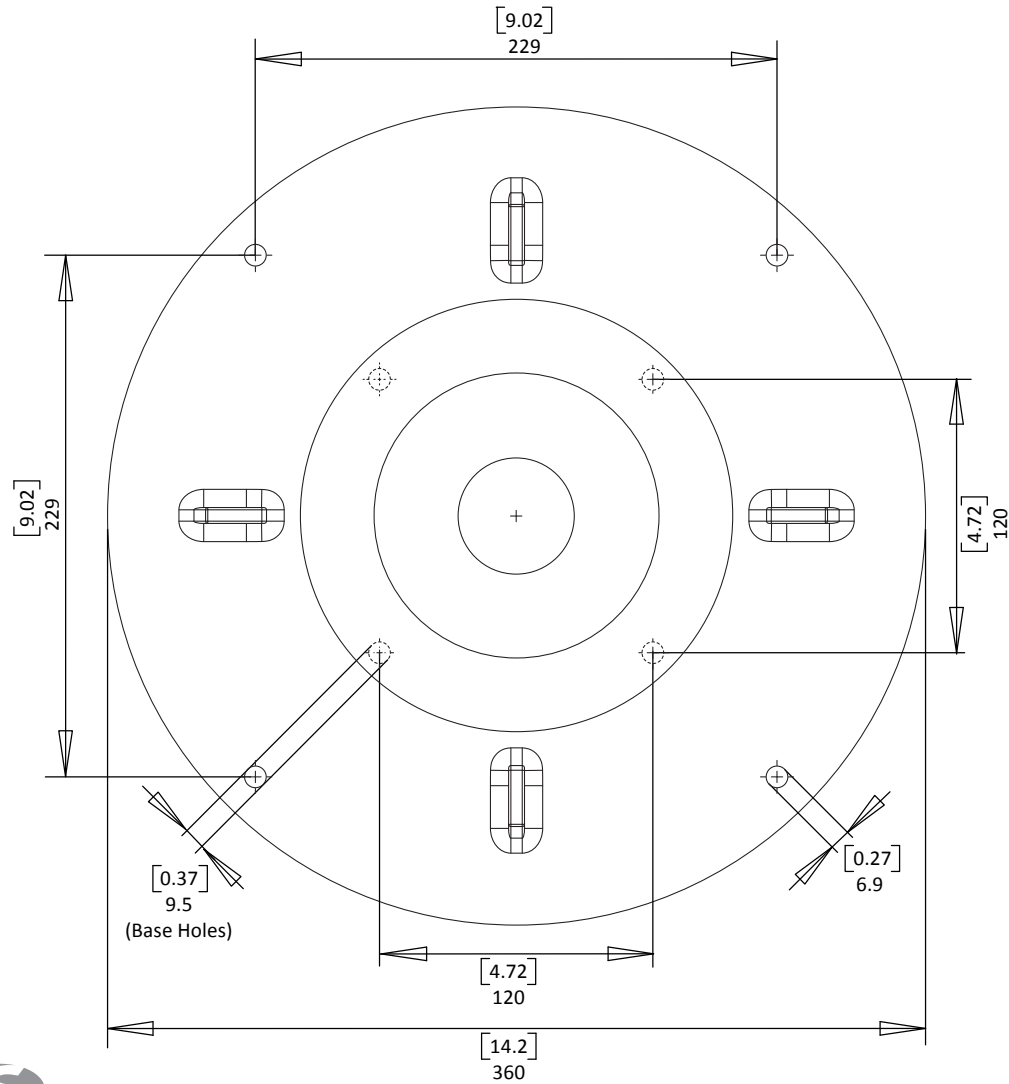
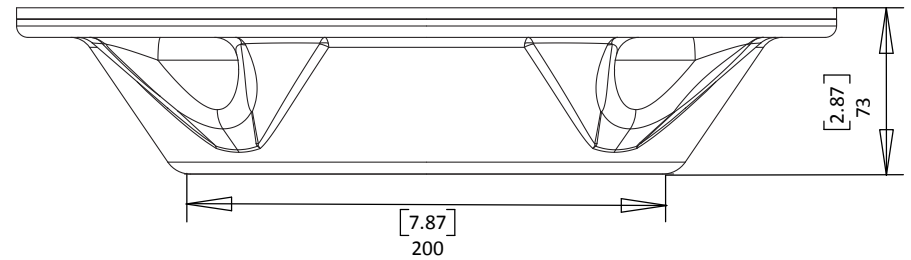


# SC45R Satcom Adapter Fixing Dimensions

For help & information  
email: sales@scanstrut.com  
tel: +44 (0) 1392 531280



STANDARD SC45 WITH ADDITIONAL POLYCARBONATE ADAPTER PLATE  
SPECIFICALLY FOR USE WITH RAYMARINE STV45 / INTELLIAN i4  
ALL SATCOM FIXING POSITIONS ARE PRE DRILLED AS DIMENSIONED



MATERIAL: 8mm COMPOSITE GRP  
FINISH: WHITE GEL COAT



**SCANSTRUT**