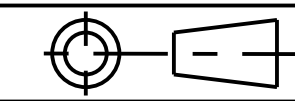
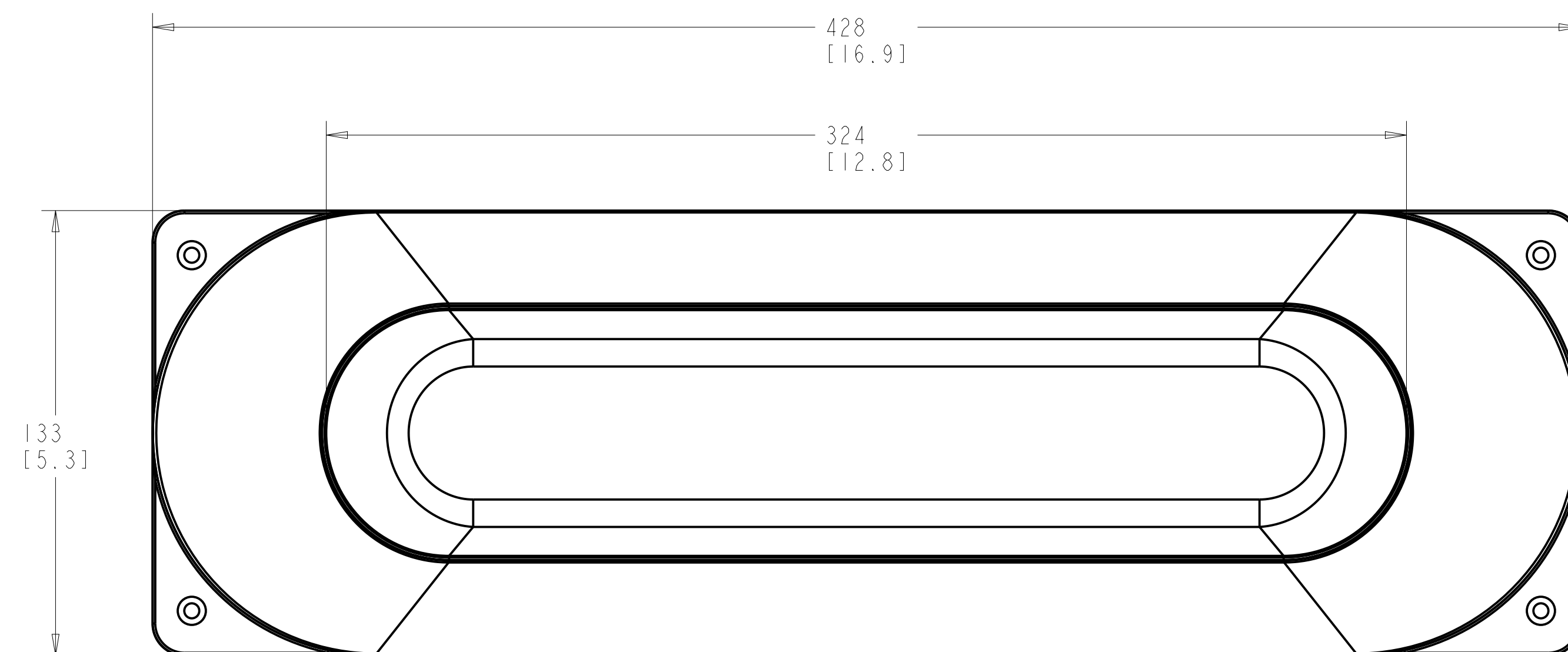
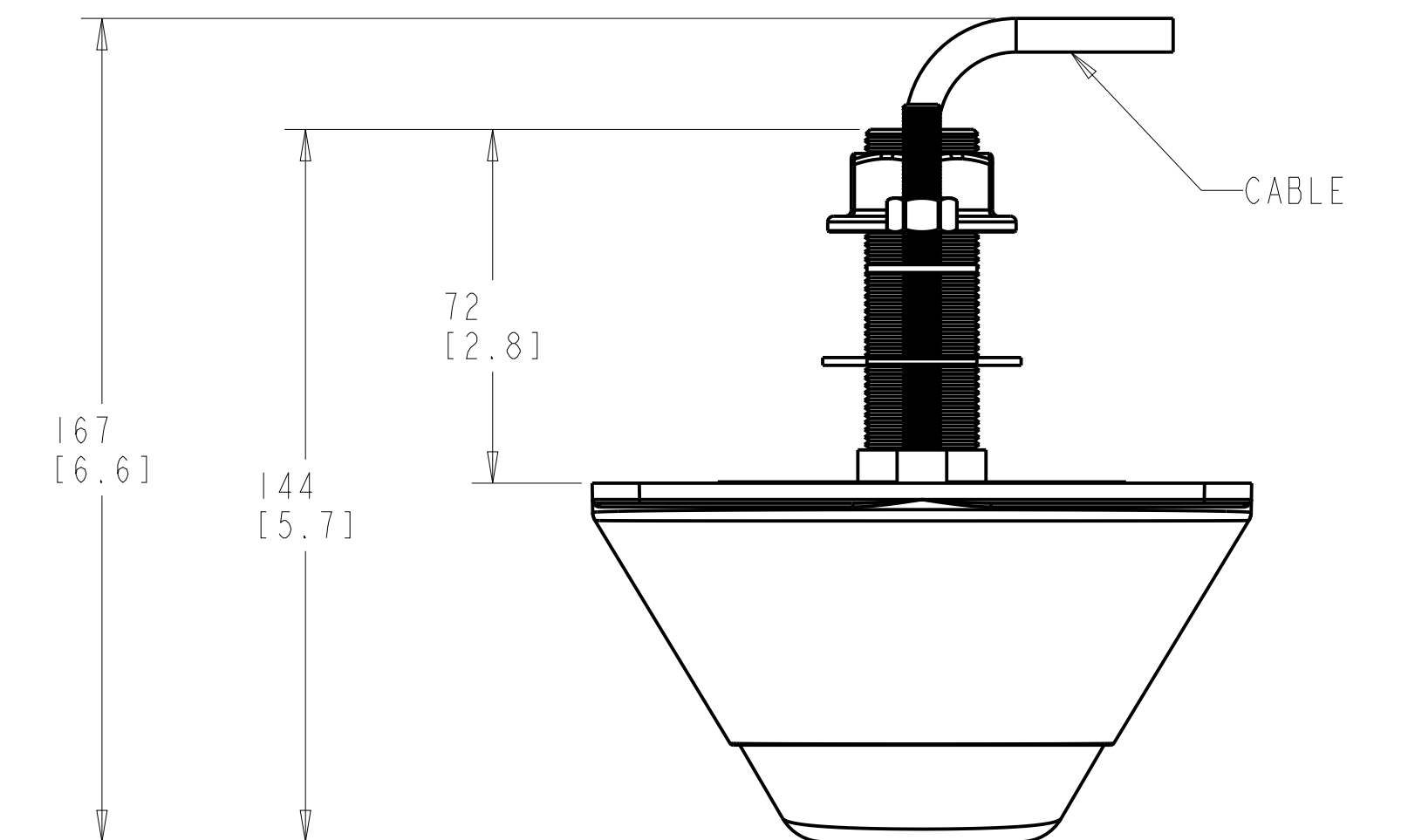
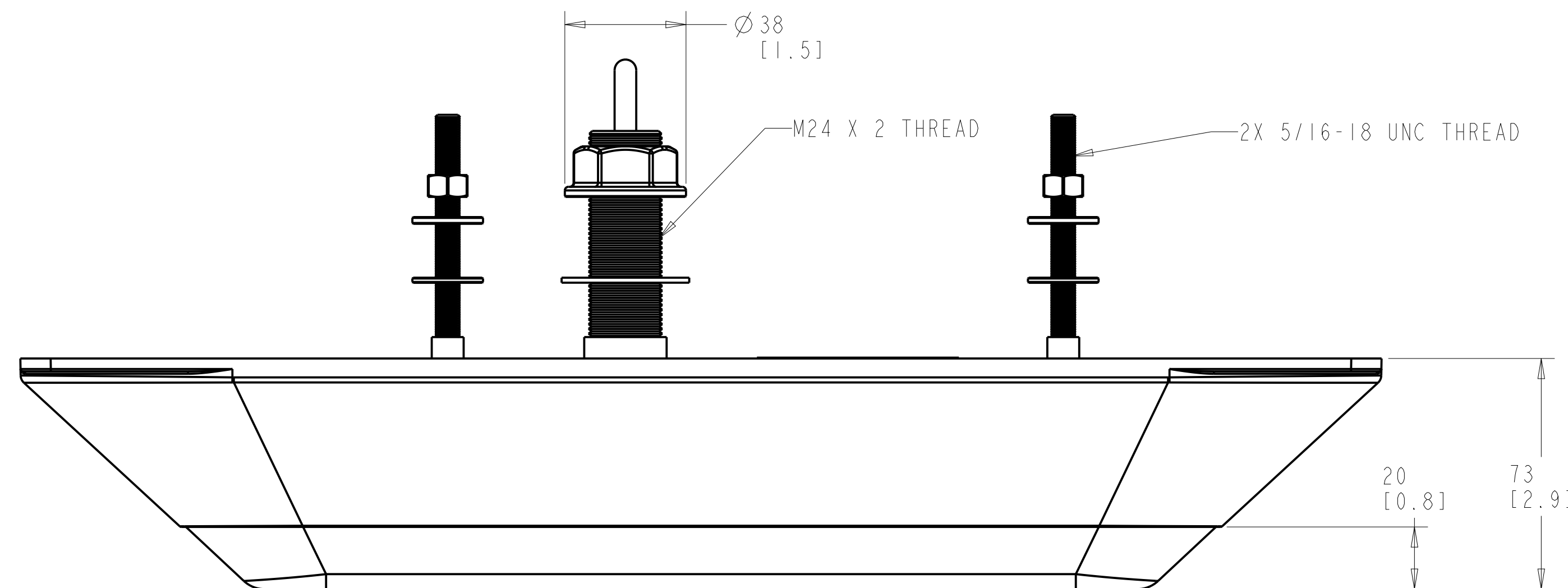
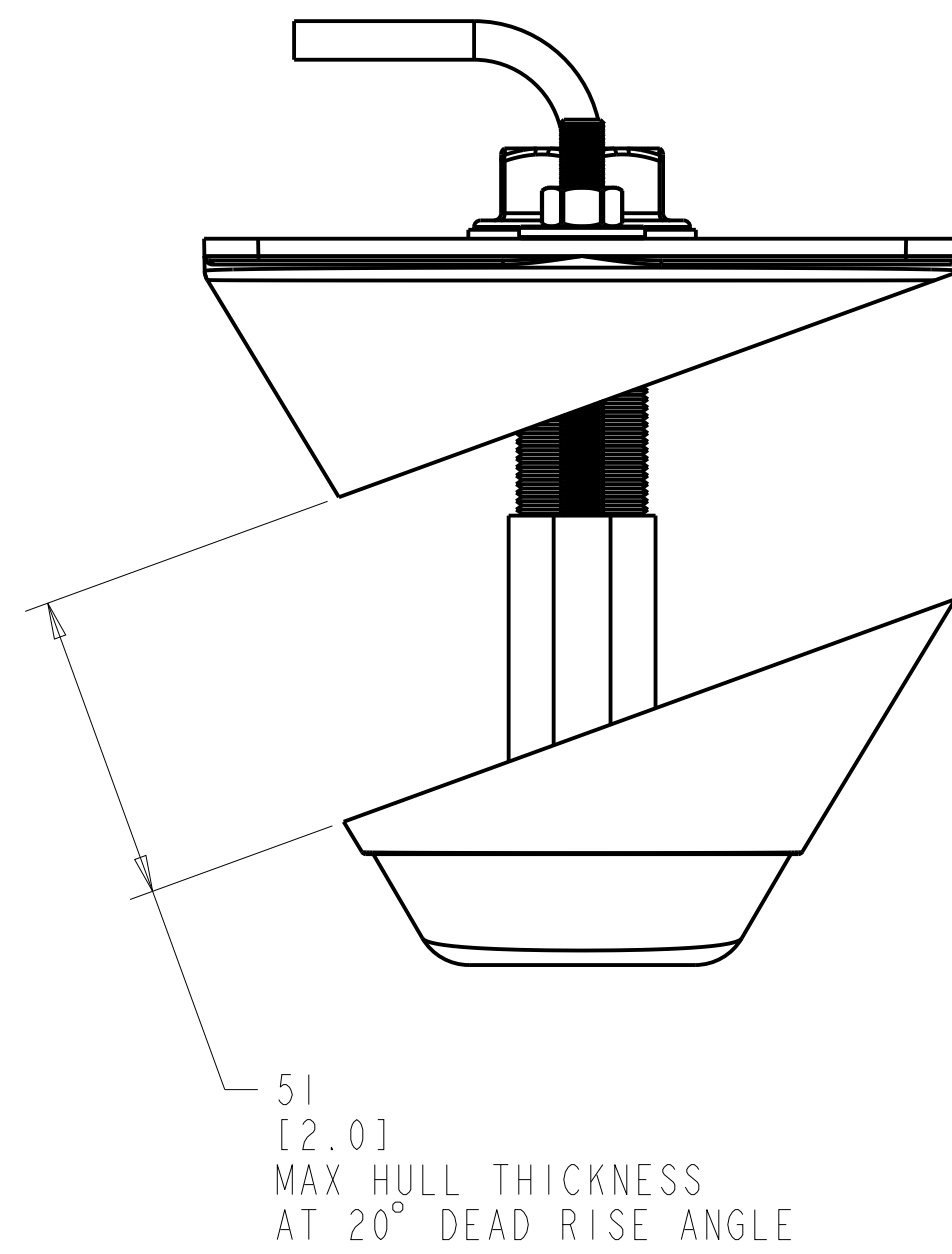
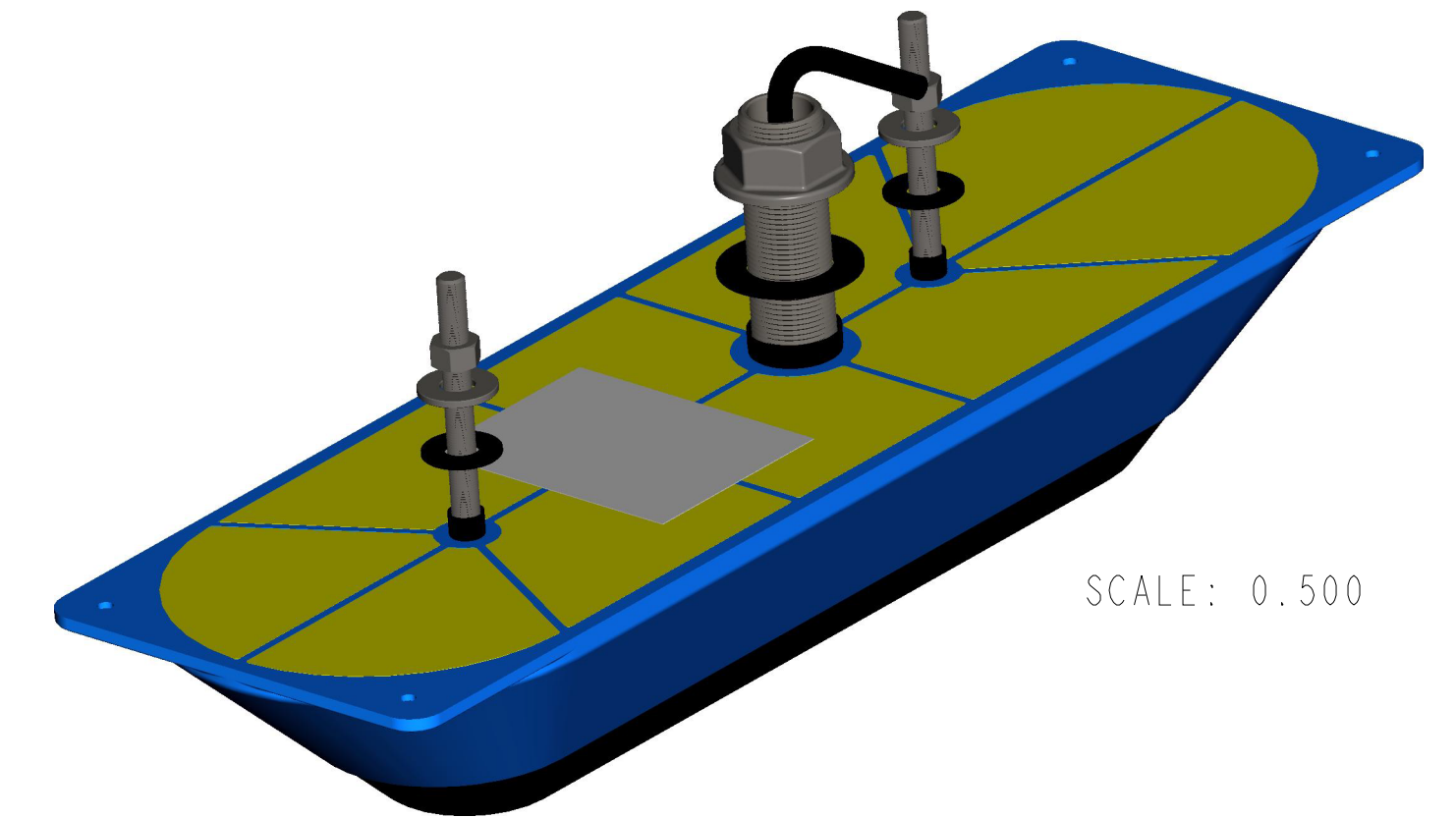
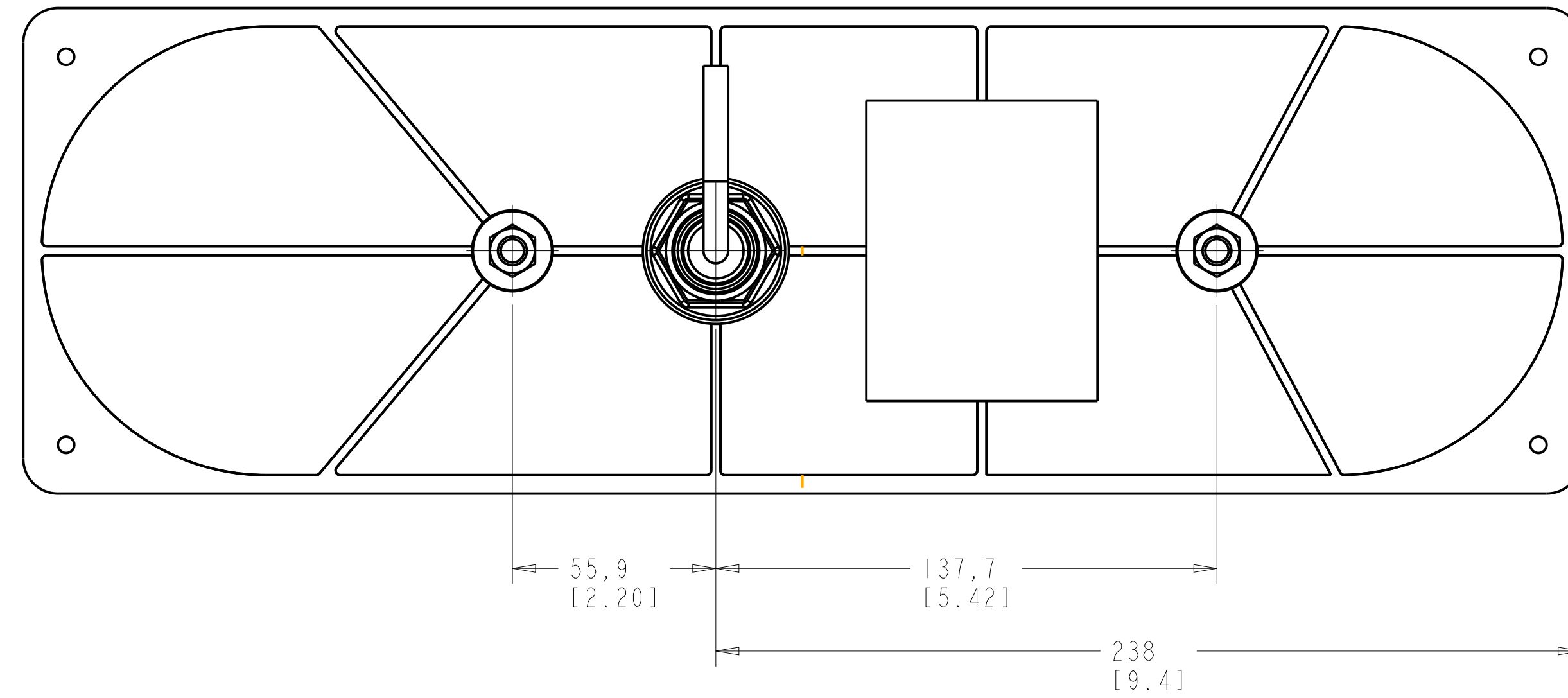


THIRD ANGLE PROJECTION



REVISIONS

REV	DESCRIPTION	ECO NO.	DATE	CHG/CHK
A	PRELIMINARY RELEASE	--	04/14/17	BVT/EJB
B	CHANGE PRIMARY UNITS FROM IN TO MM. ADDED 167 [6.6] DIM.	--	11/03/17	BVT/EJB



MATERIAL HOUSING, STEM AND HARDWARE: 316 STAINLESS STEEL
ACOUSTIC WINDOW: URETHANE
FAIRING: GLASS FILLED, IMPACT RESISTANT PLASTIC

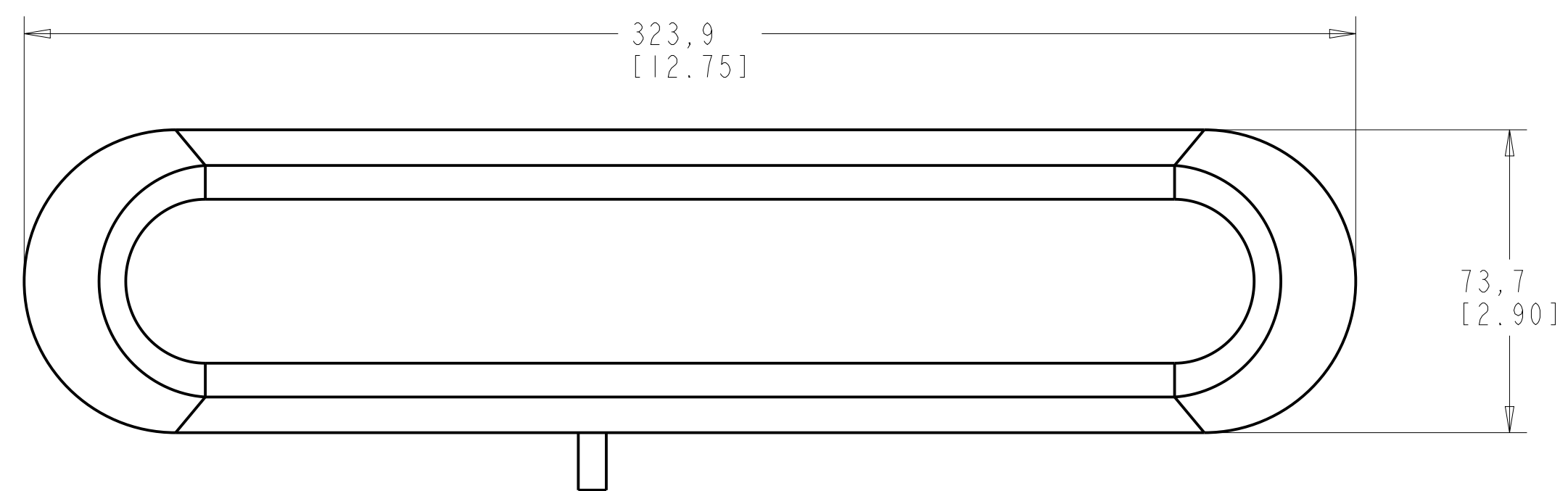
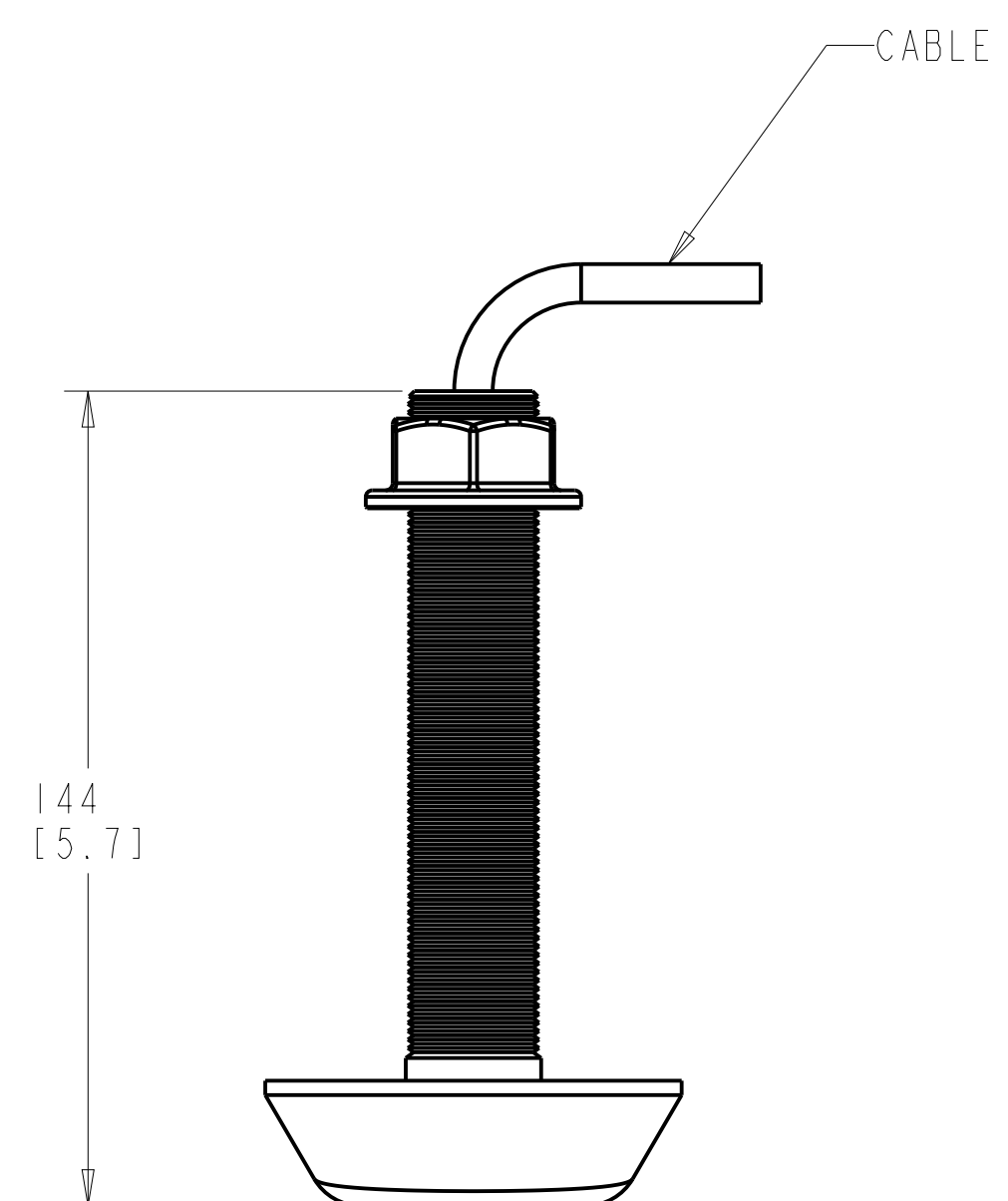
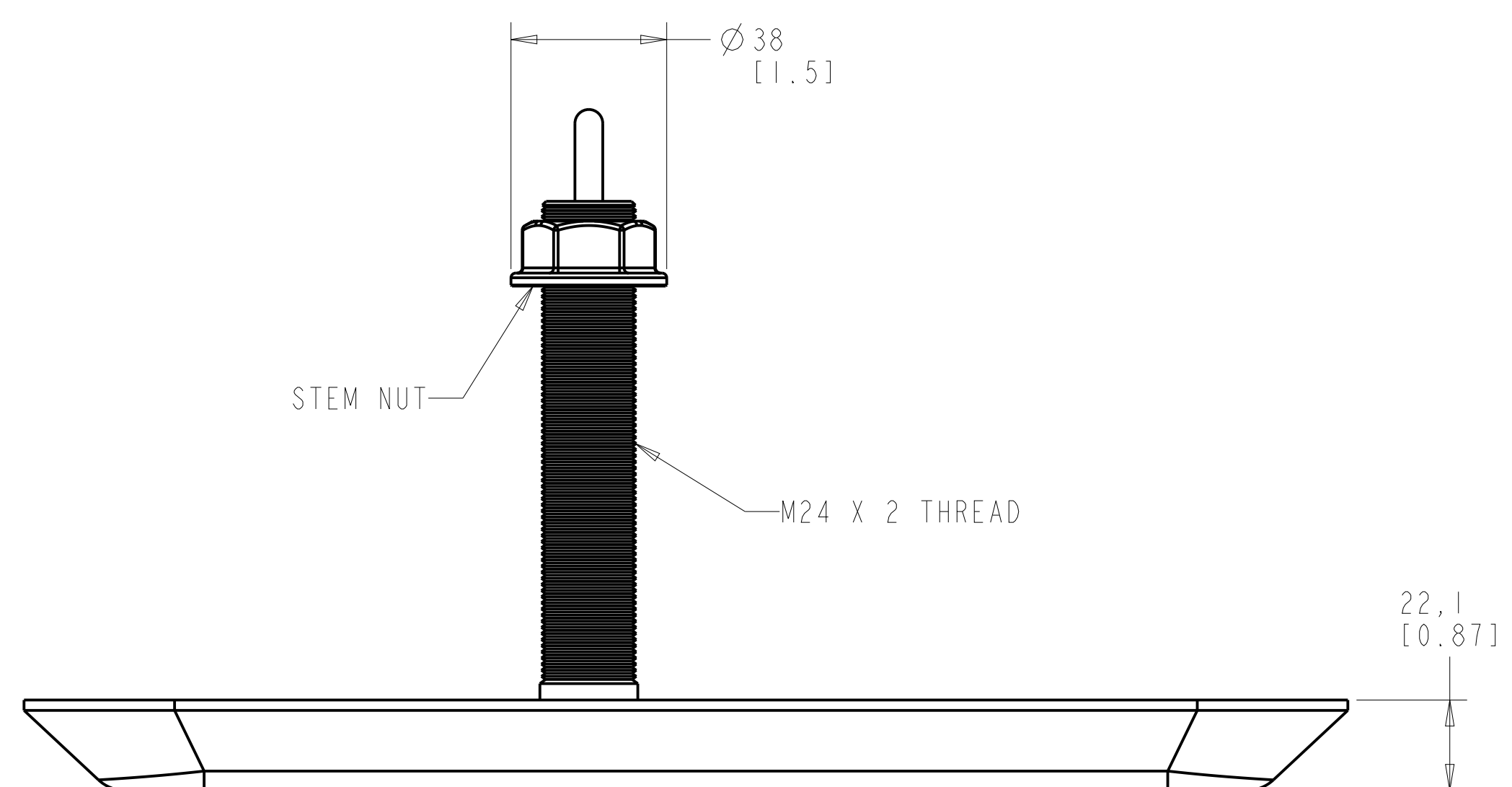
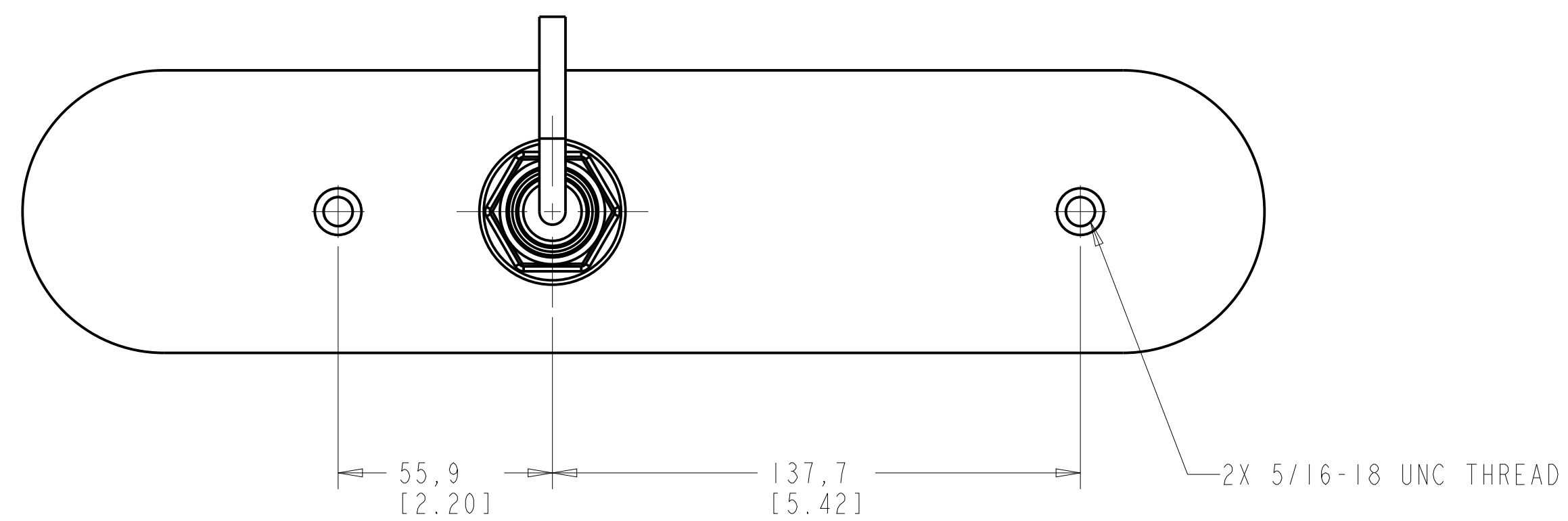
TITLE OUTLINE DRAWING
NAVICO TOTALSCAN CHIRP THRU-HULL

SIZE D SCALE: 3/4
SHEET 1 OF 2

NUMBER

CRITICAL DIMENSION

DO NOT SCALE DRAWING



TITLE		OUTLINE DRAWING	
		W/O FAIRING	
SIZE	SCALE: 3/4	NUMBER	
D	SHEET 2 OF 2		
CRITICAL DIMENSION		DO NOT SCALE DRAWING	