

Thank you for purchasing a Shakespeare antenna product. Customer comments are welcome. Before installing, please study the diagram and check parts supplied against those listed.

The Style 4190 Stainless Steel Rail Mount is a versatile mount designed for easy installation on a rail of 7/8" or 1" diameter, vertical, horizontal, or slanted. It handles antennas up to 8 feet. Standard 1"-14 threads.

Tools required: Allen Wrench.

Installation Instructions

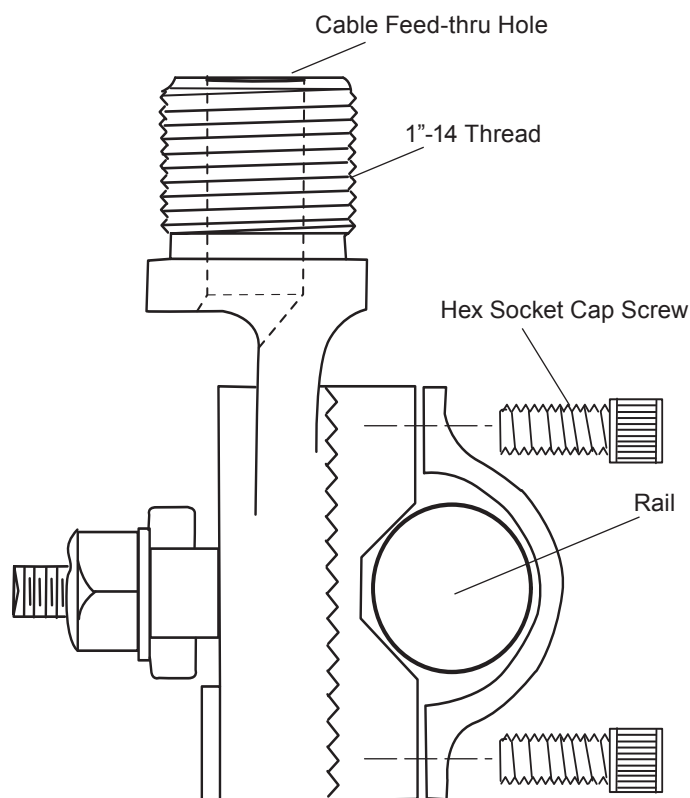
Choose a mounting location as free as possible from obstructions.

1. Remove the two hex socket cap screws, located on the back side of the mount, using an Allen wrench.
2. Position the mount halves around the rail as shown in the illustration. Install the two hex socket cap screws and tighten with an Allen wrench.
3. Use the ratchet mechanism to position the antenna.

For a streamlined look, route the cable through the hole provided in the mount.

To preserve the mount's lustre apply auto wax or metal polish.

Supplied Parts
1 Style 4190 Stainless Steel Mount Assembly



Shakespeare Electronic Products Group

U.S. Operations: 6111 Shakespeare Rd. · Columbia, SC 29223 · 803-227-1590 · Fax: 803-419-3099 · www.shakespeare-marine.com
 U.K. Operations: Enterprise Way, Fleetwood, Lancashire, FY7 8RY, England · +44 (0) 1253 858787 · Fax: +44 (0) 1253-859595 · www.vtronix-antennas.com