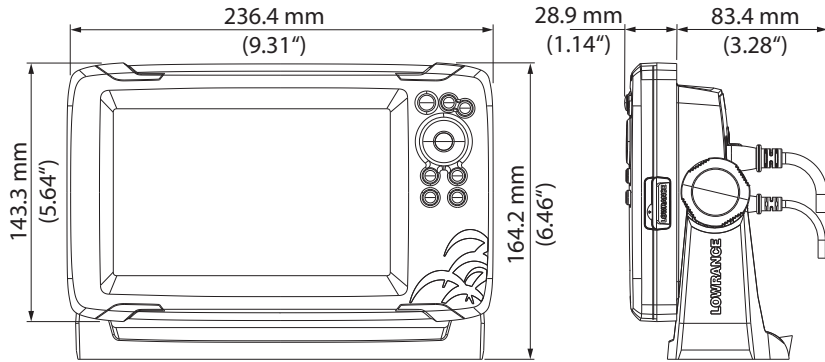


Details



Sunlight readable



-15°C to +55°C
+5°F to +131°F



0.70 Kg
1.54 lbs



1x card reader slot
Micro SD



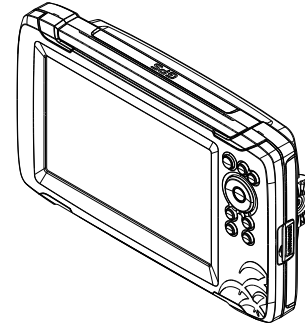
60°/50°, top/bottom
70°/70°, left/right



IPX6
IPX7

LOWRANCE®

HOOK REVEAL 7 INSTALLATION GUIDE

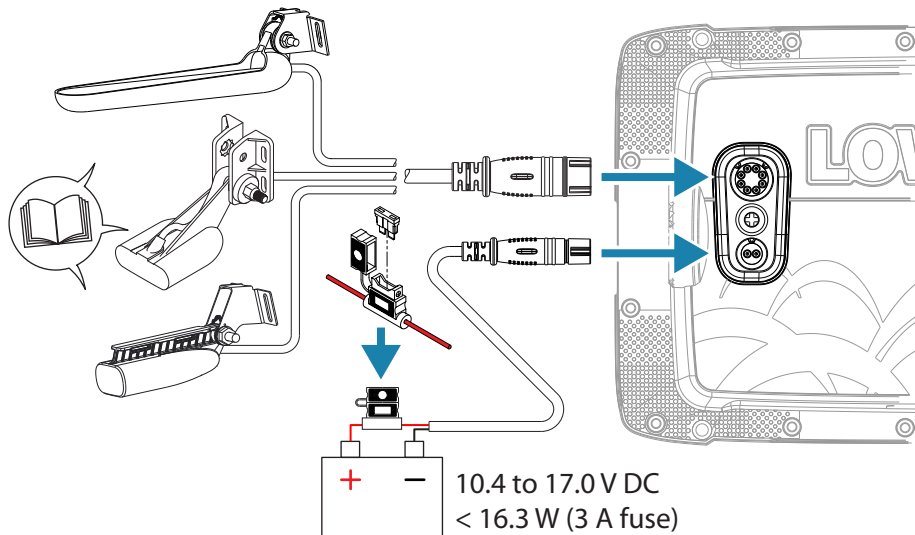


For product manuals, technical specifications, certificates and declarations refer to the product website:

www.lowrance.com



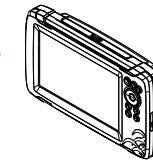
Wiring



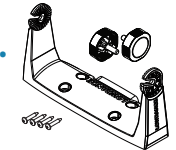
Parts included

1. Display unit
2. Bracket mounting kit
3. Cable and fuse kit
4. SplitShot, TripleShot or 50/200 kHz Skimmer transducer
5. Document package

1.



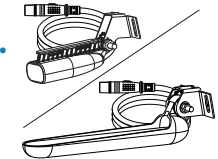
2.



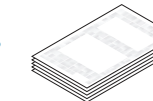
3.



4.



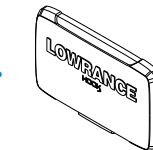
5.



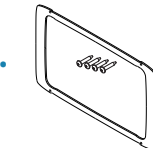
Accessories (sold separately)

- A. Sun cover
part no.: 000-14175-001
- B. Panel mounting kit
part no.: 000-14188-001

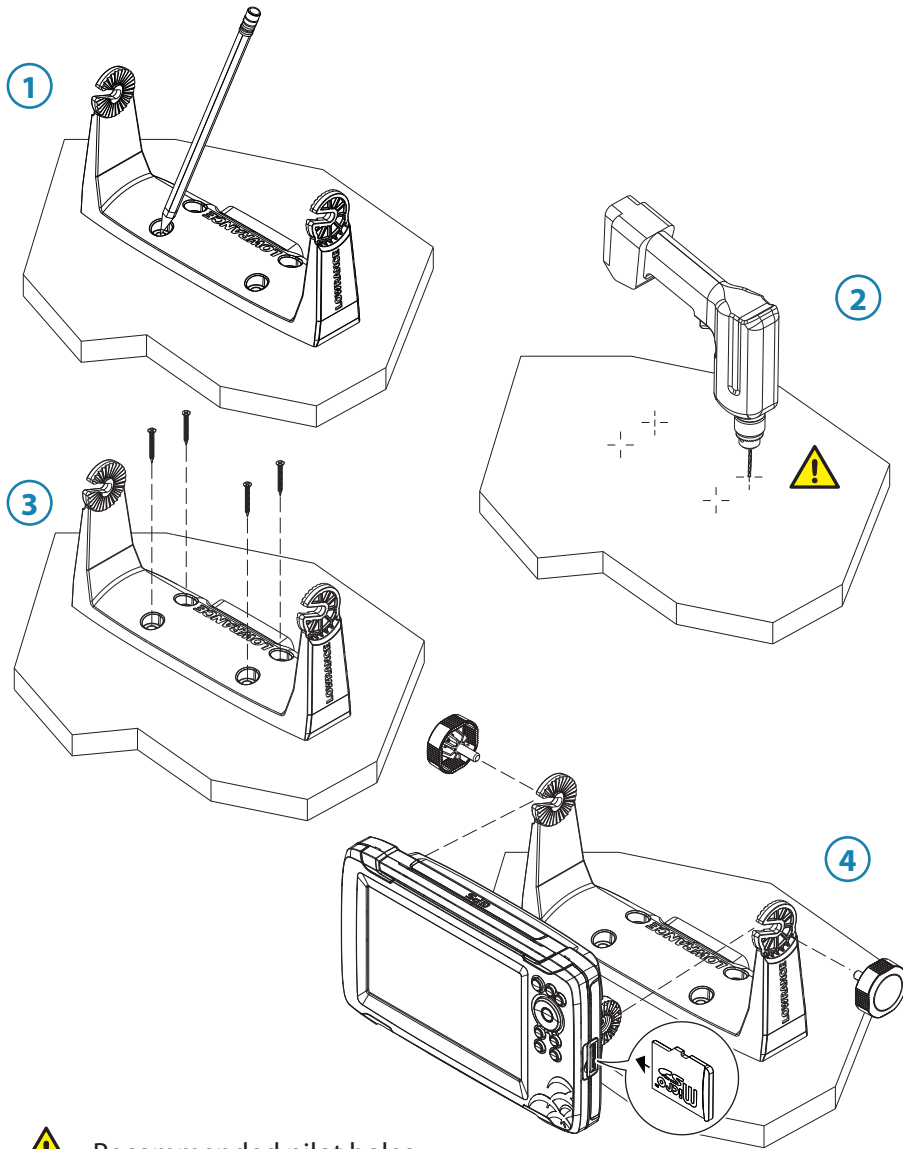
A.



B.



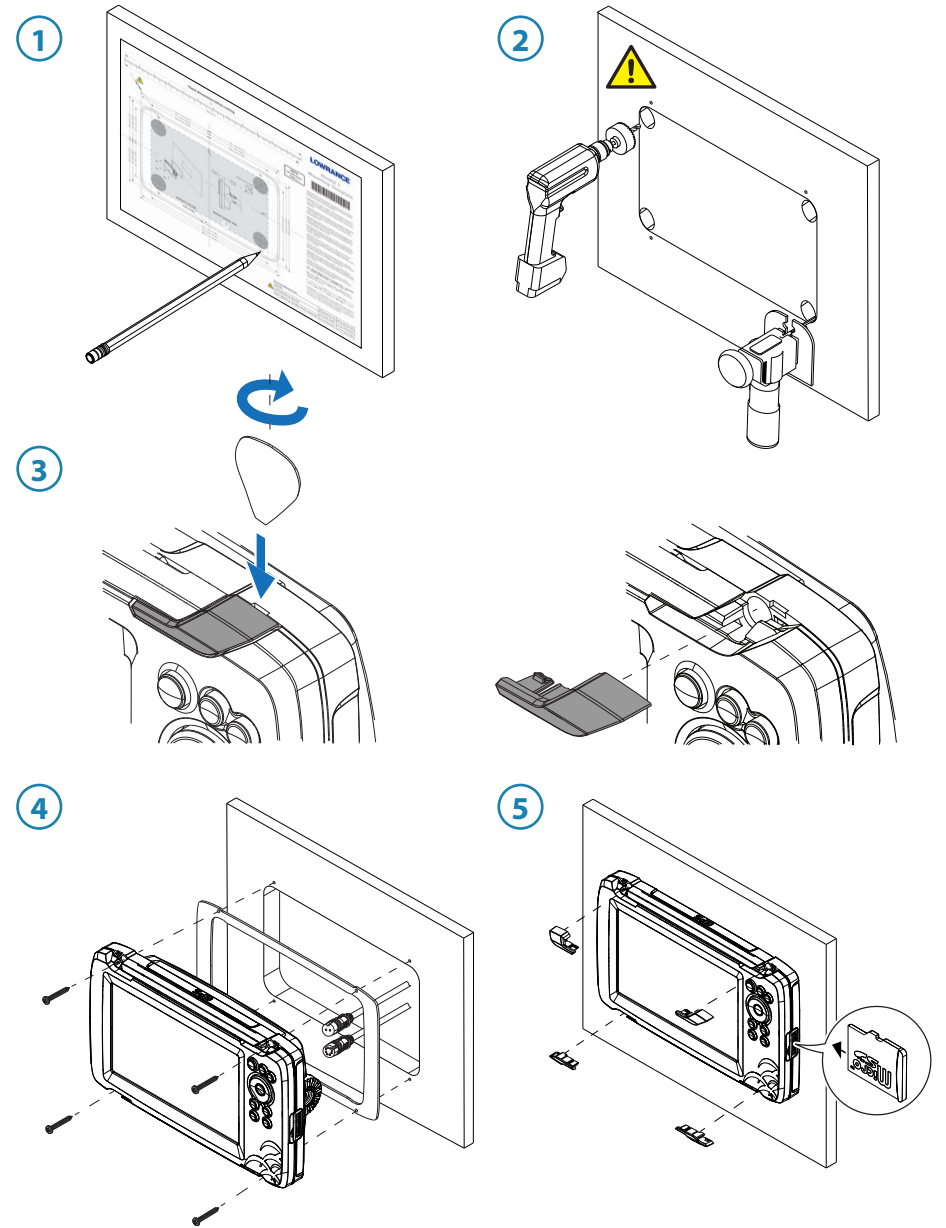
Bracket mounting



 Recommended pilot holes.

Material	10# screw
Soft materials e.g. Plywood	Ø 3.7-4.0 mm (5/32")
Hard materials e.g. Fiberglass, Acrylic, Hardwoods	Ø 4.1-4.7 mm (3/16")

Panel mounting



 See panel mounting template for drilling and cutting details. Panel mounting kit is sold separately.