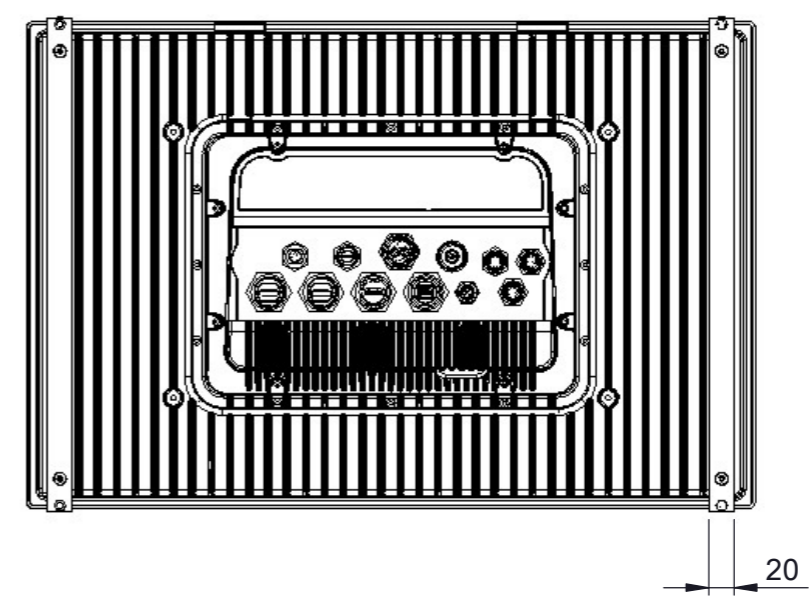
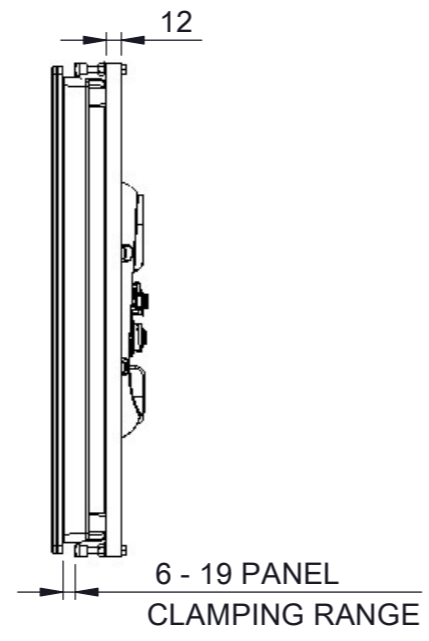
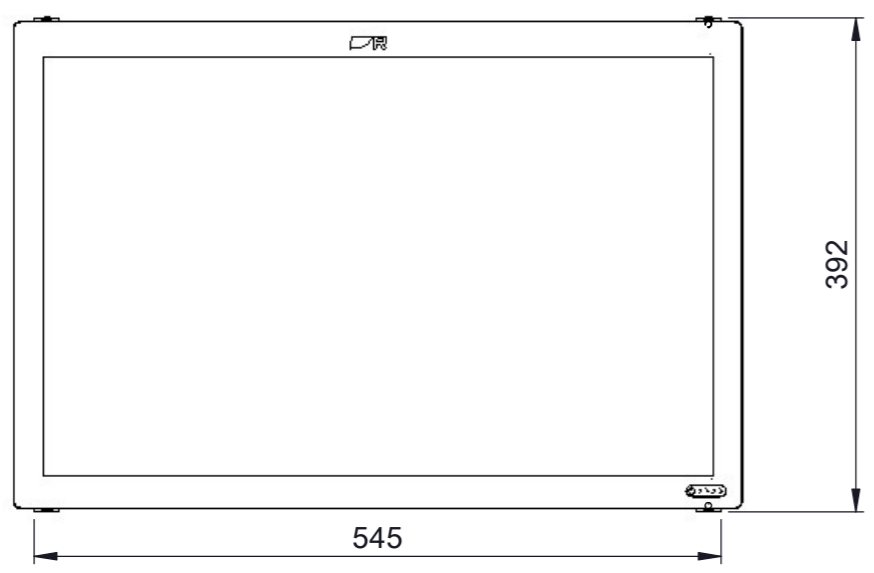
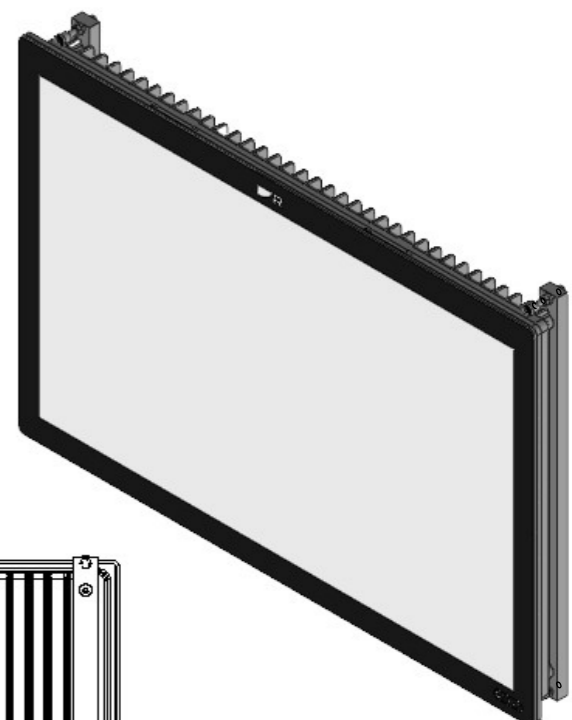
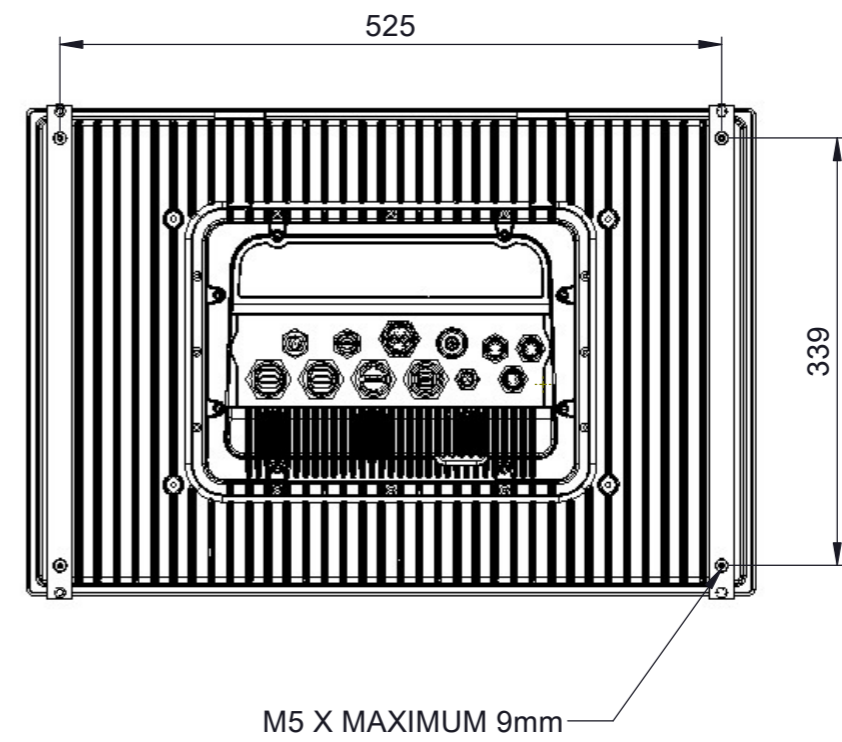
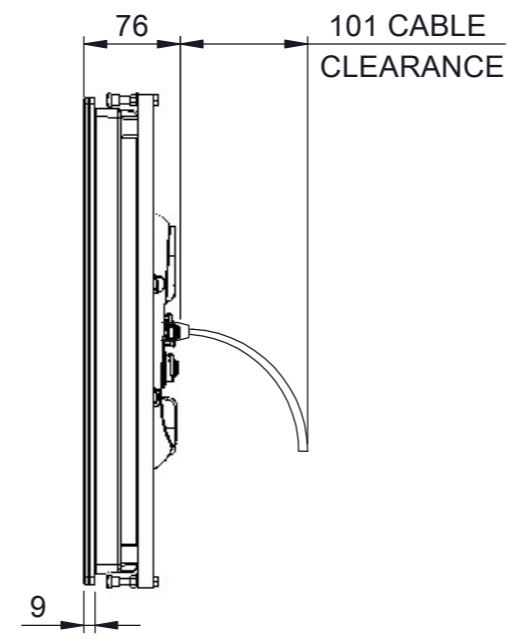
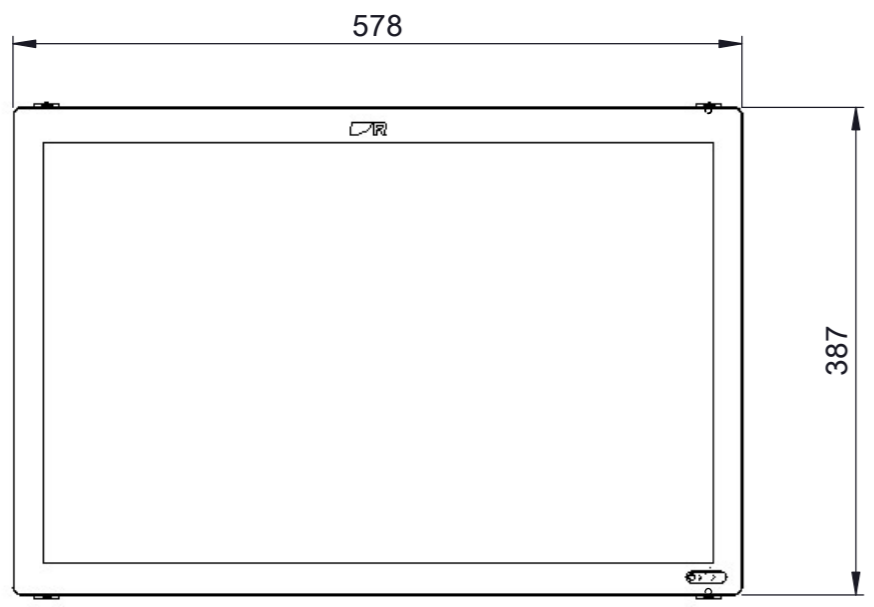


NOTES:

- 1) FOR INFORMATION ON CONNECTIONS AND PRODUCT SPECIFICATIONS, PLEASE REFER TO HANDBOOK, PRODUCT SUPPORT AND WORKSHOP MANUALS.
- 2) FOR ANY DIMENSIONAL INFORMATION NOT INCLUDED PLEASE CONTACT YOUR SALES REPRESENTATIVE.
- 3) DIMENSIONS SHOWN ARE ACTUAL PRODUCT SIZE AND DO NOT INCLUDE ANY CLEARANCE DATA.



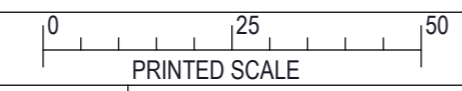
WITHOUT MOUNTING BRACKET



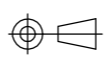
Raymarine
A FLIR COMPANY

© 2011 RAYMARINE LTD

THE INFORMATION CONTAINED HEREIN SHALL NOT BE REPRODUCED WITHOUT THE PRIOR WRITTEN PERMISSION OF RAYMARINE LTD



DRAWN TO BS308



DO NOT SCALE - IF IN DOUBT ASK

09/01/48 DRN: DIMENSIONS IN MM

DATE: 23/03/22 SCALE: 1:6

TITLE AXIOM2 XL-24 MFD
DRAWING No. D_AXIOM2XL24_SM