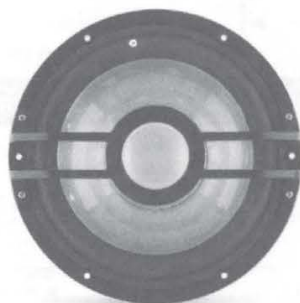


PREMIUM



## CMSP-101RGB

One Premium 10 in / 250 mm Marine Subwoofer  
with built-in RGB LED (2 & 4 ohm)

---

Un caisson de basse marin Premium  
10 pouces / 250 mm avec LED RGB intégrée

Un parlante marino Premium de  
10 pulgadas / 250 mm con LED RGB incorporado

Ein 250 mm Premium Marine Subwoofer  
mit integrierter RGB-LED

Un subwoofer marino premium da  
250 mm con LED RGB integrato

**Clarion®**

  
**MARINE AUDIO**

Thank you for purchasing a Clarion Marine Subwoofer. With proper installation, your new speakers will deliver years of listening pleasure.

We strongly recommend that you have your new marine speakers installed by your authorized dealer. The installation professionals employed by your dealer have the necessary tools and experience to properly install your new speakers. If you prefer to perform your own installation, please read this instruction manual completely before beginning the process.

---

Merci d'avoir acheté un subwoofer Clarion Marine.  
Avec une installation appropriée, vos nouveaux haut-parleurs offriront des années de plaisir d'écoute.

Nous vous recommandons fortement de faire installer vos nouvelles enceintes marines par votre revendeur agréé. Les professionnels de l'installation employés par votre revendeur ont les outils et l'expérience nécessaires pour installer correctement vos nouvelles enceintes. Si vous préférez effectuer votre propre installation, veuillez lire entièrement ce manuel d'instructions avant de commencer le processus.

---

Gracias por comprar un subgraves Clarion Marine.  
Con una instalación adecuada, sus nuevos altavoces le brindarán años de placer auditivo.

Recomendamos encarecidamente que su distribuidor autorizado instale sus nuevos altavoces marinos. Los profesionales de instalación empleados por su distribuidor tienen las herramientas y la experiencia necesarias para instalar correctamente sus nuevos altavoces. Si prefiere instalarlo por su cuenta, lea detenidamente este manual de instrucciones antes de comenzar el proceso.

---

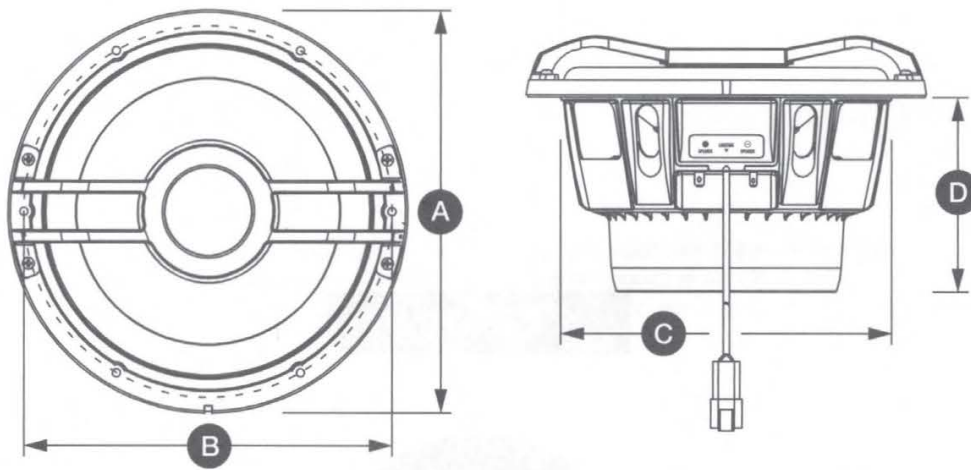
Vielen Dank, dass Sie sich für einen Clarion Marine Subwoofer entschieden haben. System entschieden haben. Bei ordnungsgemäßer Installation sorgen Ihre neuen Lautsprecher für jahrelanges Hörvergnügen.

Wir empfehlen dringend, dass Sie Ihre neuen Schiffslautsprecher von Ihrem autorisierten Händler installieren lassen. Die von Ihrem Händler beschäftigten Installationsfachleute verfügen über die erforderlichen Werkzeuge und Erfahrungen, um Ihre neuen Lautsprecher ordnungsgemäß zu installieren. Wenn Sie es vorziehen, Ihre eigene Installation durchzuführen, lesen Sie diese Bedienungsanleitung vollständig durch, bevor Sie mit dem Vorgang beginnen.

---

Grazie per aver acquistato un subwoofer Clarion Marine.  
Clarion Marine. Con una corretta installazione, i nuovi altoparlanti offriranno anni di piacevole ascolto.

Raccomandiamo vivamente di avere i tuoi nuovi altoparlanti marini installati dal tuo rivenditore autorizzato. I professionisti dell'installazione impiegati dal tuo rivenditore hanno gli strumenti e l'esperienza necessari per installare correttamente i tuoi nuovi altoparlanti. Se si preferisce eseguire la propria installazione, leggere completamente questo manuale di istruzioni prima di iniziare il processo.



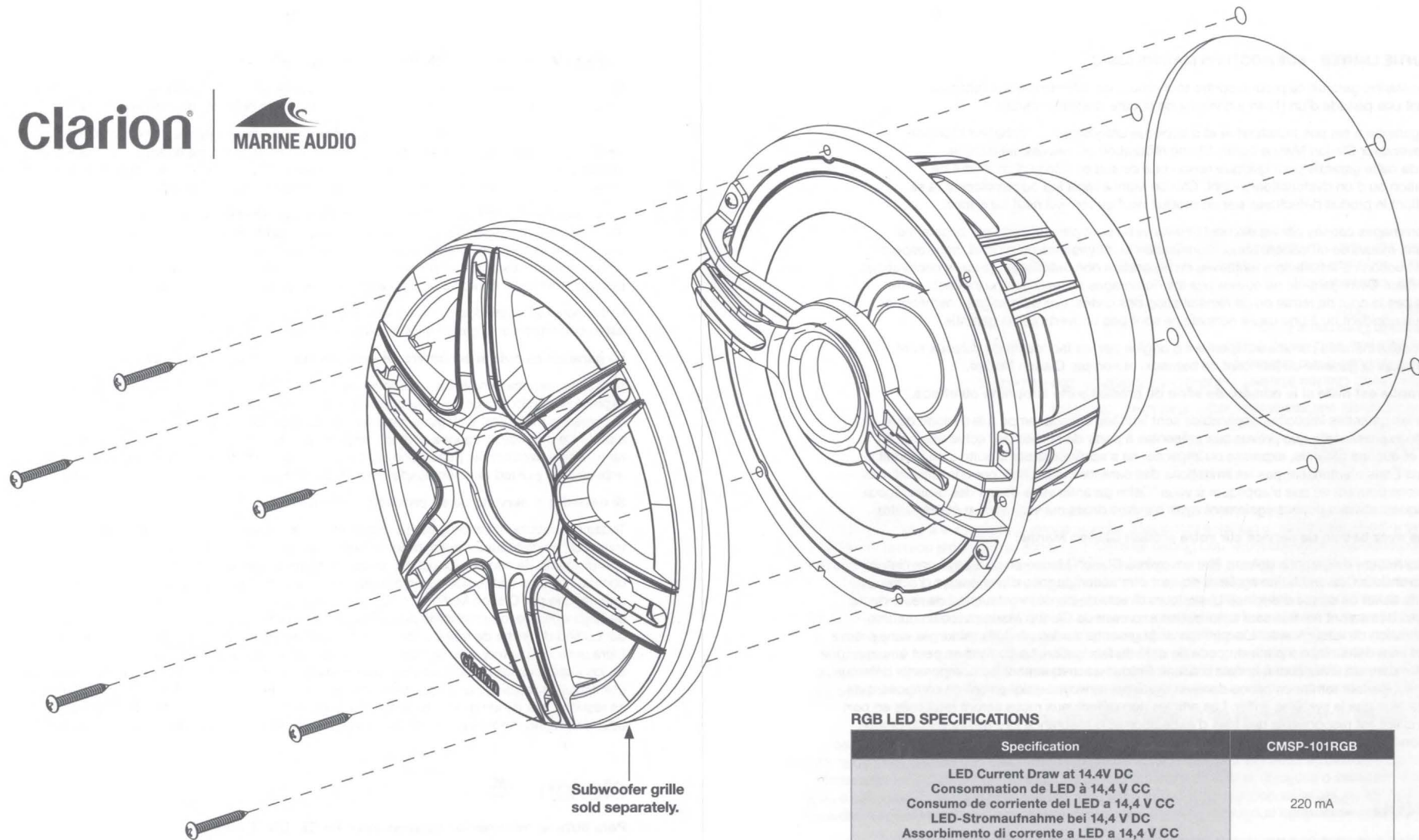
Physical Specifications	CMSP-101RGB-4	CMSP-101RGB-2
Nominal Diameter	10.0 in. / 250 mm	10.0 in. / 250 mm
Outer Diameter (A)	10.57 in. / 269 mm	10.57 in. / 269 mm
Bolt Hole Circle (B)	9.72 in. / 247 mm	9.72 in. / 247 mm
Mounting Hole Diameter (C)	8.75 in. / 222 mm	8.75 in. / 222 mm
Mounting Depth (D)	5.16 in. / 131 mm	5.16 in. / 131 mm
Net Weight	10.69 lbs / 4.85 kg	10.69 lbs / 4.85 kg
Driver Displacement	0.074 ft <sup>3</sup> / 2.10 litres	0.074 ft <sup>3</sup> / 2.10 litres

NOTE: Subwoofer grille sold separately

Subwoofer Parameters	CMSP-101RGB-4	CMSP-101RGB-2
Free Air Resonance (Fs):	47.15 Hz	44.81 Hz
Electrical "Q" (Qes):	1.005	0.832
Mechanical "Q" (Qms):	11.532	11.410
Total Speaker "Q" (Qts):	0.925	0.775
Equivalent Compliance (Vas):	0.88 ft <sup>3</sup> / 24.93 litres	0.87 ft <sup>3</sup> / 24.77 litres
One-way, Linear Excursion (Xmax)*:	0.39 in / 10 mm	0.39 in / 10 mm
Efficiency (1W/1m)**:	86 dB SPL	86 dB SPL
Effective Piston Area (Sd):	48.67 in <sup>2</sup> / 0.0314 m <sup>2</sup>	48.67 in <sup>2</sup> / 0.0314 m <sup>2</sup>
DC Resistance (Re):	4.080 ohm	2.180 ohms
Nominal Impedance:	4 ohm	2 ohm
Infinite Baffle Use:	Yes	Yes
Power Handling (continuous):	250W	250W

\* Xmax specifications are derived via one-way voice coil overhang method with no correction factors applied.  
 \*\* Efficiency (1W/1m) is not an accurate indicator of a subwoofer's output capability and should not be used as a comparison to other subwoofers to determine which one is "louder" !

# Clarion



Subwoofer grille  
sold separately.

### SPEAKER CONNECTIONS

Terminal	Connection
+	Speaker Positive (+)
-	Speaker Negative (-)

### RGB LED HARNESS WIRING

RGB LED Wire Color	Wire Size	Connection
Red	26 AWG	Red LED Negative (-)
Green		Green LED Negative (-)
Blue		Blue LED Negative (-)
Yellow		Main LED Positive (+12V)

### FIXED 7-COLOR LED WIRING

LED Color Output	LED Wire Color(s)	Connection
Red	Red	Connect wire(s) to negative (-) battery post or negative ground.
Green	Green	
Blue	Blue	
Yellow	Red + Green	
Pink	Red + Blue	
Light Blue	Green + Blue	
White	Red + Green + Blue	

Connect all Yellow (+12V) LED wires to a switched +12V supply.

### RGB LED SPECIFICATIONS

Specification	CMSP-101RGB
<b>LED Current Draw at 14.4V DC</b> Consommation de LED à 14,4 V CC Consumo de corriente del LED a 14,4 V CC LED-Stromaufnahme bei 14,4 V DC Assorbimento di corrente a LED a 14,4 V CC	220 mA
<b>Recommended Fuse Value*</b> Valeur de fusible recommandée* Valor de fusible recomendado* Empfohlener Sicherungswert* Valore del fusibile raccomandato*	250 mA
<b>LED Voltage Range</b> Chaîne de tension LED Rango de voltaje LED LED-Spannungsbereich Gamma di tensione LED	10 - 14.4V DC

\* For short-circuit protection, install a fuse (not included) at each speaker's Yellow (+12V) LED power connection lead.  
 \* Pour une protection contre les courts-circuits, installez un fusible (non inclus) sur le fil de connexion d'alimentation LED jaune (+ 12V) de chaque haut-parleur.  
 \* Para protección contra cortocircuitos, instale un fusible (no incluido) en el cable de conexión de alimentación de LED amarillo (+ 12V) de cada altavoz.  
 \* Installieren Sie zum Kurzschlusschutz eine Sicherung (nicht im Lieferumfang enthalten) am gelben (+ 12 V) LED-Stromanschlusskabel jedes Lautsprechers.  
 \* Per la protezione da cortocircuito, installare un fusibile (non incluso) sul cavo di collegamento dell'alimentazione LED giallo (+ 12V) di ciascun altoparlante.

## WOOFER FEATURES

- UV protected Injection-molded polypropylene cone bodies with santoprene rubber surrounds, specifically formulated for marine duty
- Marine-grade, synthetic spider
- Meets salt-fog and UV exposure standards (ASTM B117/D4329)

## BUILT-IN RGB LIGHTING

- Multi-color LEDs, embedded and concealed from direct sight, produce lively accent lighting

---

### Included Components and Parts:

- One Marine Subwoofer
- One 0.250-inch Female Crimpable Connector
- One 0.187-inch Female Crimpable Connector
- Six M5 x 35 mm Stainless-Steel Mounting Screws
- One Waterproof RGB LED Wire Harness
- Mounting Template
- Owner's Manual

### RGB LED Illumination:

LED functionality requires separate wiring at each speaker location. Choose from seven fixed LED colors or connect an RGB lighting controller (sold separately) for adjustable control.

### BEFORE YOU BEGIN INSTALLING

- Check with your local waterway authority for any regulations regarding the use of accent/speaker lighting on your vessel.
- Turn off the audio system. It is also advisable to disconnect your battery system whenever performing installation work.
- Before cutting, drilling or inserting any screw, check clearances on both sides of the planned mounting surface. Also check for any potential obstacles, such as wiring harnesses, fuel lines, hydraulic lines, etc. Check both sides of the vessel before cutting any holes.
- If you are running cables through bulkheads, drill holes for the cable and use a urethane or plastic grommet to protect the wire from chafing in the hole. Make sure that the cables will clear any mechanical devices in the boat and secure them with wire ties.
- Wear protective eyewear at all times and a dust mask and gloves when drilling or cutting.

### !! CAUTION

When installing speakers in your vessel, it is extremely important to secure them firmly. This applies not only to the speakers themselves, but also any structure they are mounted to. If not firmly attached, the speakers can become dangerous projectiles in a collision. Please review the mounting information carefully and use the supplied marine-grade hardware to mount this product.

### !! WARNING

While these speakers are designed to be water and spray resistant, they are not designed to be submerged or to withstand high-pressure water spray. Do not install on submersibles, personal watercraft or any other vessel likely to be under water at any time. Please exercise care when washing your boat to avoid damaging your speaker. Avoid contact with harsh chemicals or cleaning agents to prevent damage to the speaker's finish that will not be covered under warranty. Wash with mild soap and rinse with freshwater only.

### !! CAUTION

Prolonged exposure to sound pressure levels in excess of 100dB can cause permanent hearing loss. This high-performance speaker can exceed this level. Please exercise restraint in its operation in order to preserve your ability to enjoy its fidelity.

### !! WARNING

It is absolutely vital that your coaxial speaker system is connected as shown in this manual. Failure to connect the system as shown will result in damage to your speakers which is NOT covered under warranty. Do not substitute different crossover networks.

## **LIMITED WARRANTY - MARINE SUBWOOFERS (USA)**

Clarion Marine warrants this product to be free of defects in materials and workmanship for a period of one (1) year from the original date of purchase.

This warranty is not transferable and applies only to the original purchaser from an authorized Clarion Marine dealer. Should service be necessary under this warranty for any reason due to manufacturing defect or malfunction, Clarion Marine will (at its discretion), repair or replace the defective product with new or remanufactured product at no charge.

Damage caused by the following is not covered under warranty: accident, misuse, abuse, product modification or neglect, failure to follow installation instructions, unauthorized repair attempts, misrepresentations by the seller. This warranty does not cover incidental or consequential damages and does not cover the cost of removing or reinstalling the unit(s). Cosmetic damage due to accident or normal wear and tear is not covered under warranty.

Products installed as original equipment by boat manufacturers are covered by the boat manufacturer's warranty, not Clarion Marine.

**Warranty is void if the product's serial number has been removed or defaced.**

Any applicable implied warranties are limited in duration to the period of the express warranty as provided herein beginning with the date of the original purchase at retail, and no warranties, whether express or implied, shall apply to this product thereafter. Some states do not allow limitations on implied warranties, therefore these exclusions may not apply to you. This warranty gives you specific legal rights, and you may also have other rights which vary from state to state.

### **If you need service on your Clarion Marine product:**

All warranty returns should be sent to Clarion Marine freight prepaid through an authorized

Clarion Marine dealer and must be accompanied by proof of purchase (a copy of the original sales receipt.) Direct returns from consumers or non-authorized dealers will be refused unless specifically authorized by Clarion Marine with a valid return authorization number. Warranty expiration on products returned without proof of purchase will be determined from the manufacturing date code. Coverage may be invalidated as this date is previous to purchase date. Return only defective components. If one speaker fails in a system, return only that speaker component, not the entire system. Non-defective items received will be returned freight-collect. Customer is responsible for shipping charges and insurance in sending the product to Clarion Marine. Freight damage on returns is not covered under warranty.



### **For Service Information in the U.S.A. please call**

**Clarion Marine Customer Service:** 1-800-GO-CLARION (1-800-462-5274)

9:00 AM – 5:30 PM (Eastern Time Zone)

**Clarion Marine, a JL Audio Company**

10369 North Commerce Pkwy.

Miramar, FL 33025

### **International Warranties:**

Products purchased outside the United States of America are covered only by that country's distributor and not by Clarion Marine