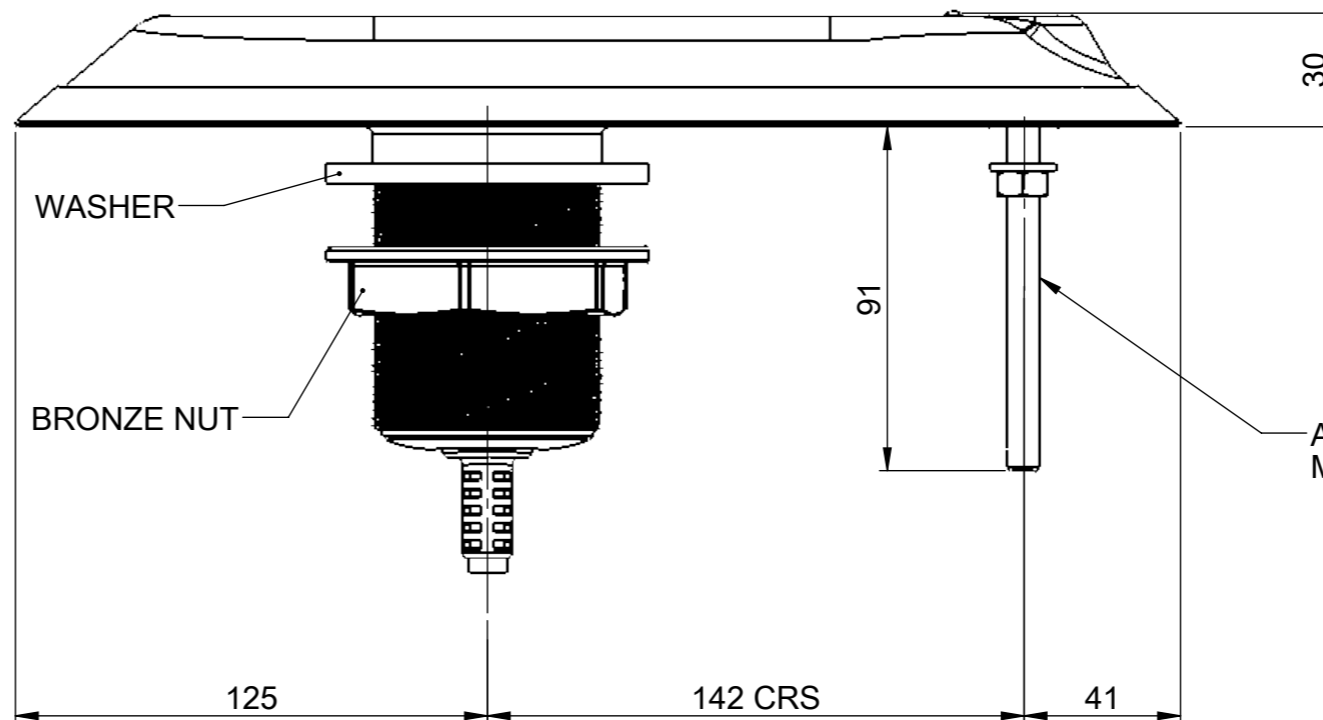
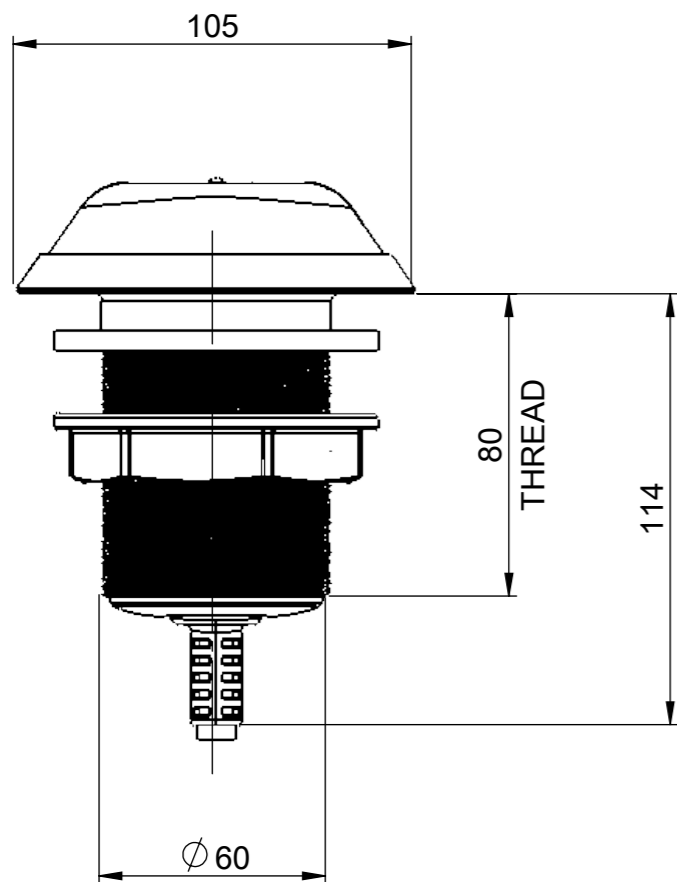
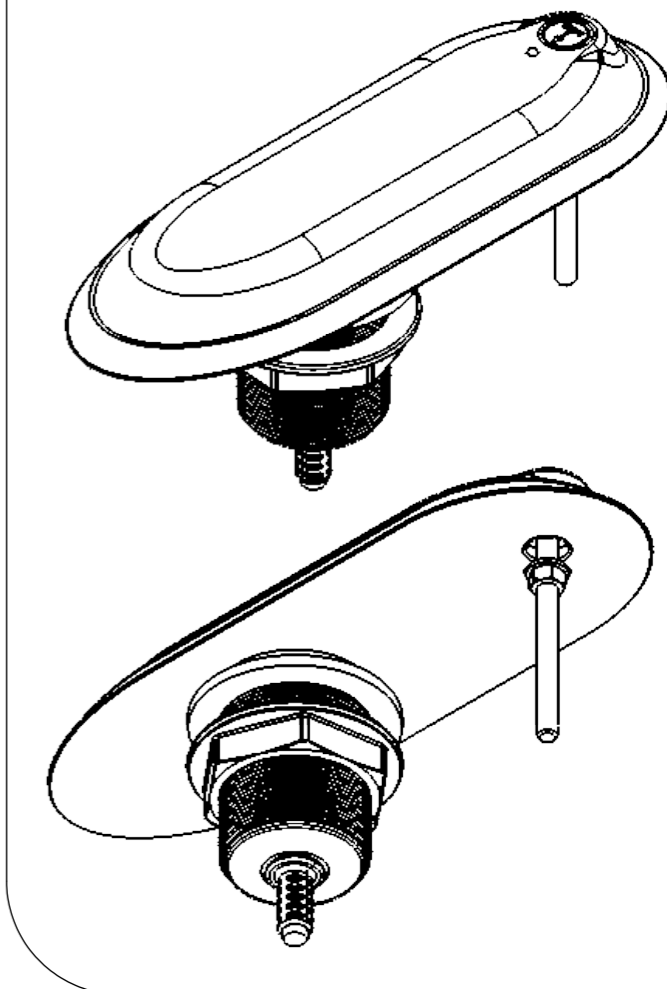
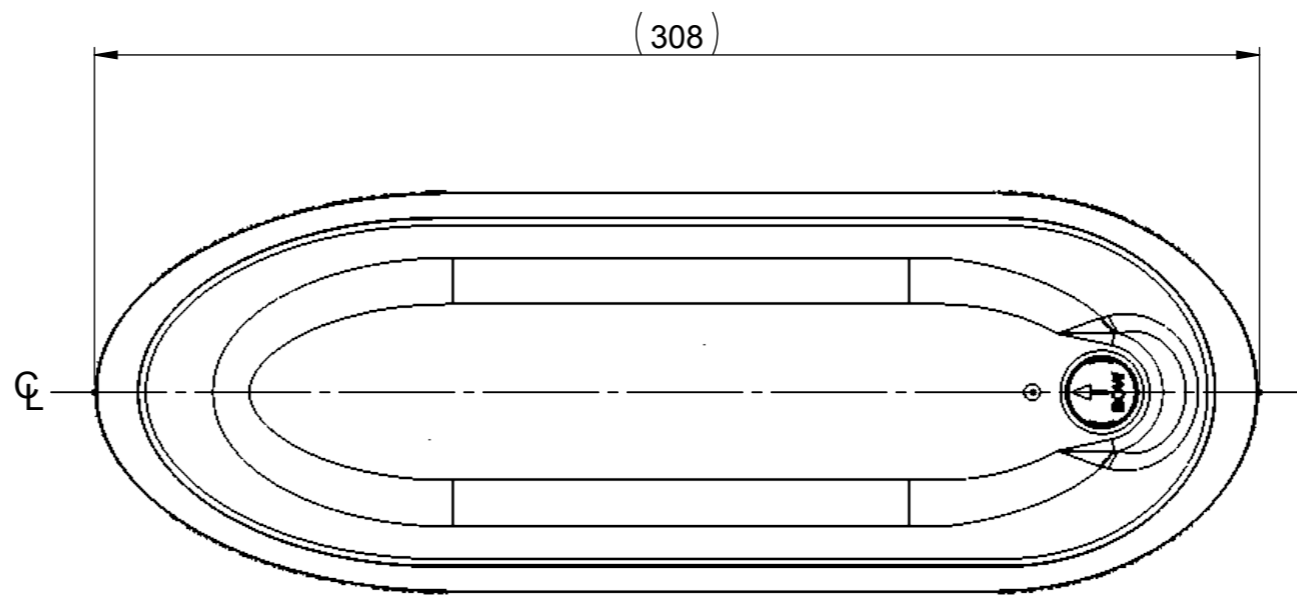
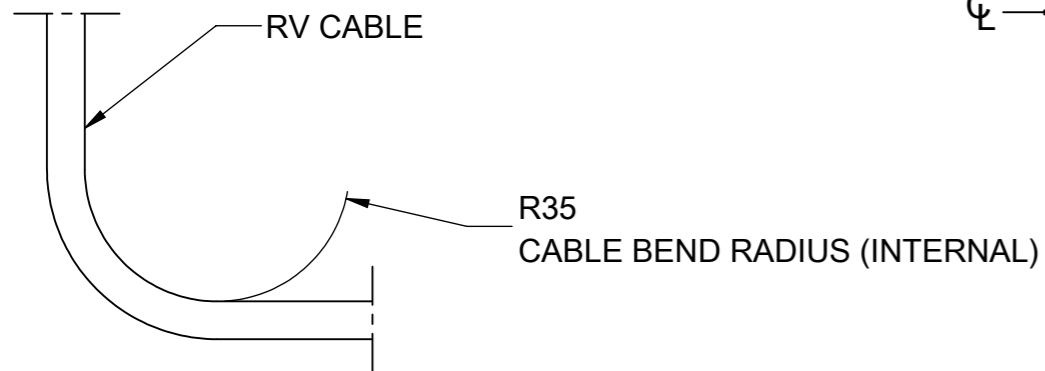


NOTES:

- 1) FOR INFORMATION ON CONNECTIONS AND PRODUCT SPECIFICATIONS, PLEASE REFER TO HANDBOOK, PRODUCT SUPPORT AND WORKSHOP MANUALS.
- 2) FOR ANY DIMENSIONAL INFORMATION NOT INCLUDED PLEASE CONTACT YOUR SALES REPRESENTATIVE.
- 3) DIMENSIONS SHOWN ARE ACTUAL PRODUCT SIZE AND DO NOT INCLUDE ANY CLEARANCE DATA.



ALIGNMENT FIXING FASTENER:
M8 x 100mm HEX HEAD SCREW BRONZE

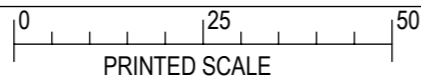
NOTE:
DRAWING SUITABLE FOR THE
FOLLOWING RV TRANSDUCERS:

- RV-212P BRONZE TH 12° PORT
- RV-212S BRONZE TH 12° STARBOARD
- RV-220P BRONZE TH 20° PORT
- RV-220S BRONZE TH 20° STARBOARD

Raymarine
A FLIR COMPANY

THE INFORMATION
CONTAINED HEREIN
SHALL NOT BE
REPRODUCED WITHOUT
THE PRIOR WRITTEN
PERMISSION OF
RAYMARINE LTD

© 2011 RAYMARINE LTD



DRAWN TO BS308



DO NOT SCALE - IF IN DOUBT ASK

DRN: N.B
DIMENSIONS IN MM

DATE: 10/11/2017
SCALE: 1:2

TITLE
RV-200 BRONZE TH 0 DEG
DRAWING No.
TD_RV-200_TH_0