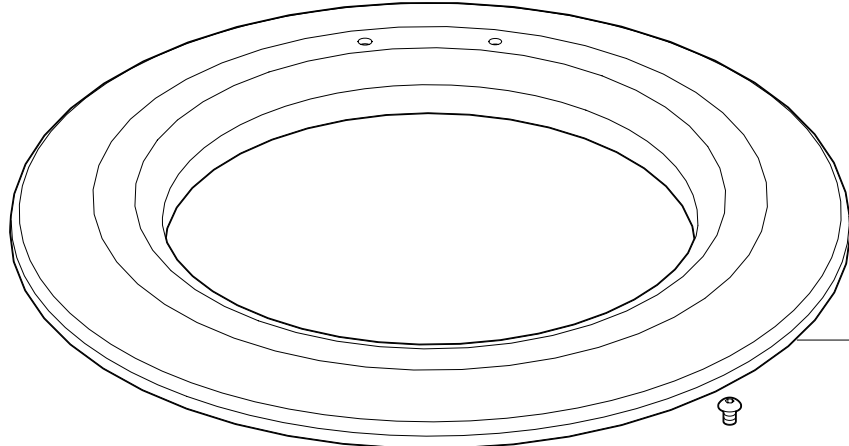


4000 Mk2 Wheel Drive

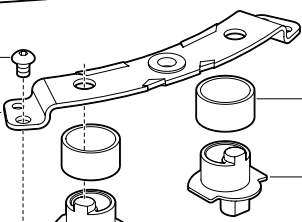
- 1 Front cover
- 2 Support plate screw
M5 x 8 mm (x2)
- 3 Support plate
- 4 Drive belt
- 5 Clutch roller (x2)
- 6 Screw M5 x 30 mm (x2)
- 7 Clutch lever
- 8 Clutch eccentric (x2)
- 9 Clutch ratchet knob
- 10 Bearing cage (x3)
- 11 Drive ring
- 12 Ball bearing (x21)
- 13 Machined pulley
- 14 Collar nut
- 15 Rubber cap
- 16 Motor tube
- 17 Motor sleeve
- 18 Motor
- 19 Motor clamp
- 20 O-ring
- 21 Motor loom
- 22 Seal
- 23 Gearbox
- 24 Back cover



2 (x2)
Torque: 12 lb.in (1.4 Nm)



3

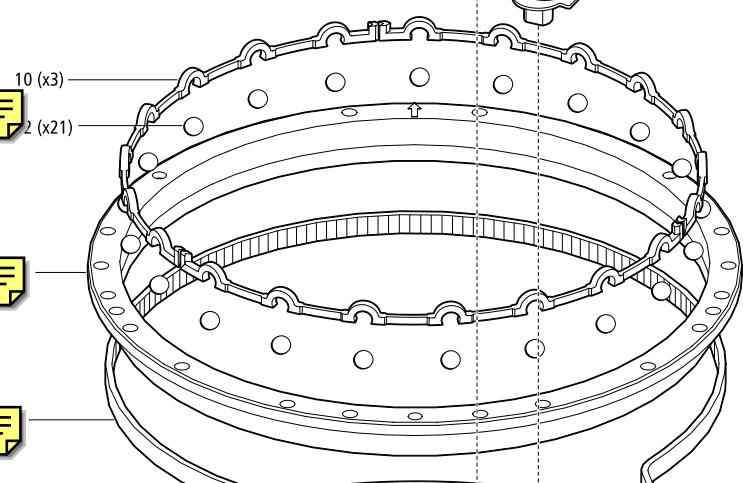


5 (x2)

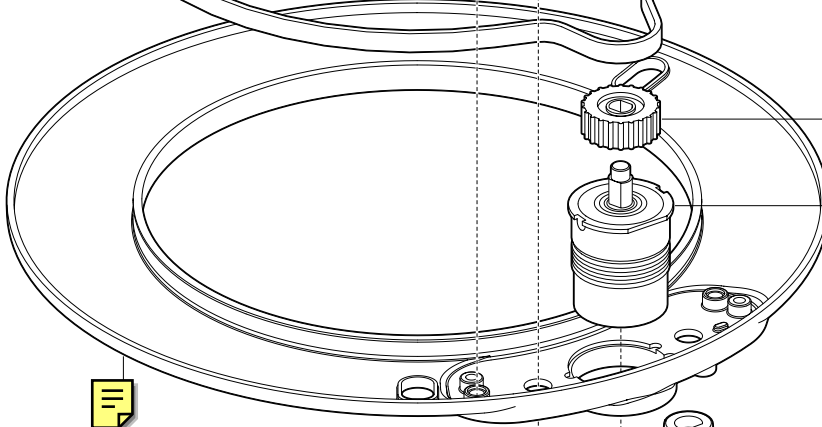


8 (x2)

10 (x3)
12 (x21)



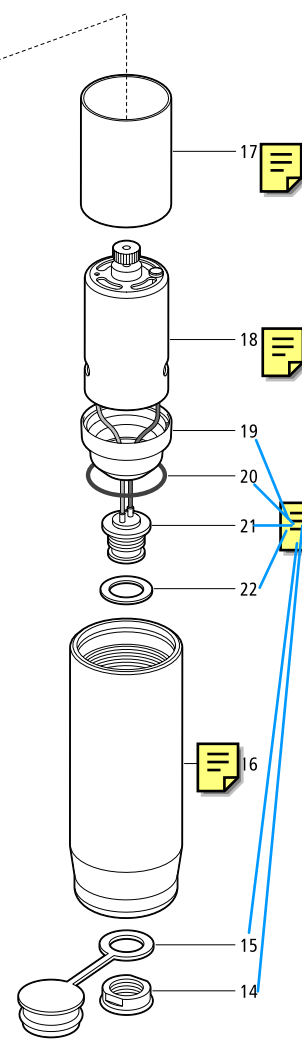
16



9



6 (x2)
Torque: 12 lb.in (1.4 Nm)



Item	Spare/Accessory	Part No.	Comments
	Front cover	A18074	
1	Front cover		
–	6 mm drill bit		Not illustrated on exploded view
24	Back cover	A18075	
11	Drive ring	A18076	
	Clutch lever	A18077	
7	Clutch lever		
6	M5 x 30 mm screw		
	Clutch ratchet knob	A18078	
9	Ratchet knob		
6	M5 x 30 mm screw		
	Support plate	A18079	
3	Support plate		
2	M5 x 8 mm screw (x2)		
	Torque restraint (pedestal bracket)	A18080	
–	Torque restraint		Not illustrated on exploded view
–	No 10 x ¾ inch screw (x4)		Not illustrated on exploded view
–	4 mm drill bit		Not illustrated on exploded view
–	Wheel drive unit	A18081	Entire wheel drive assembly
4	Drive belt	A18083	
	Clutch kit	A18084	
8	Clutch eccentric		
5	Clutch roller		
6	M5 x 30 mm screw		
	Bearing kit	A18085	
12	Ball bearings (x21)		
10	Bearing cage (x3)		
18	Motor	A18086	
13	Machined pulley	A18087	
23	Gearbox	A18088	
	Single spoke clamp	A18089	
–	Spoke clamp		Not illustrated with exploded unit
–	16 mm spoke clamp insert		Not illustrated with exploded unit
–	12 mm spoke clamp insert		Not illustrated with exploded unit
–	M5 x 16 mm screw		Not illustrated with exploded unit
–	3 mm allen key		Not illustrated with exploded unit
	Motor loom and seal kit	A18092	
14	Collar nut		
15	Rubber cap		
19	Motor clamp		
20	O-ring		
21	Loom plug assembly		
22	Gasket		
	Power cable	A18061	Not illustrated with exploded unit
	4.5 m (15 ft) cable with plug at one end and connector spades at the other		